

SECTION **RFD**
REAR FINAL DRIVE

A
B
C

RFD

CONTENTS

E

SERVICE INFORMATION	2	Changing Differential Gear Oil	9	F
PRECAUTIONS	2	Checking Differential Gear Oil	9	
Service Notice or Precaution	2	FRONT OIL SEAL	10	G
PREPARATION	3	Removal and Installation	10	
Special Service Tool	3	SIDE OIL SEAL	14	H
Commercial Service Tool	5	Removal and Installation	14	
NOISE, VIBRATION AND HARSHNESS		REAR FINAL DRIVE ASSEMBLY	16	I
(NVH) TROUBLESHOOTING	7	Removal and Installation	16	
NVH Troubleshooting Chart	7	Disassembly and Assembly	17	
DESCRIPTION	8	SERVICE DATA AND SPECIFICATIONS		J
Cross-Sectional View	8	(SDS)	38	
DIFFERENTIAL GEAR OIL	9	General Specification	38	
		Inspection and Adjustment	38	K

K

L

M

N

O

P

PRECAUTIONS

< SERVICE INFORMATION >

SERVICE INFORMATION

PRECAUTIONS

Service Notice or Precaution

INFOID:000000002955739

- Check for the correct installation status prior to removal or disassembly. If matching marks are required, be certain they never interfere with the function of the parts when applied.
- Overhaul should be done in a clean work area, it is preferable to work in dustproof area.
- Before disassembly, using steam or white gasoline, completely remove sand and mud from the exterior of the unit, preventing them from entering into the unit during disassembly or assembly.
- Check appearance of the disassembled parts for damage, deformation, and unusual wear. Replace them with a new ones if necessary.
- Gaskets, seals and O-rings should be replaced any time when the unit is disassembled.
- In principle, tighten bolts or nuts gradually in several steps working diagonally from inside to outside. If tightening sequence is specified, observe it.
- Clean and flush the parts sufficiently and blow-dry them.
- Be careful not to damage sliding surfaces and mating surfaces.
- When applying sealant, remove the old sealant from the mounting surface; then remove any moisture, oil, and foreign materials from the application and mounting surfaces.
- Always use shop paper for cleaning the inside of components.
- Avoid using cotton gloves or shop rags to prevent entering of lint.
- During assembly, observe the specified tightening torque, and apply new gear oil, petroleum jelly, or multi-purpose grease as specified for each vehicle, if necessary.

PREPARATION

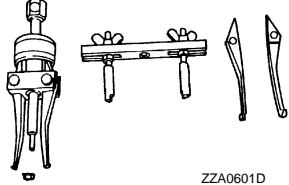
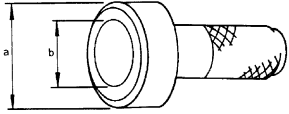
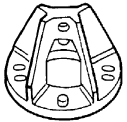

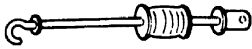
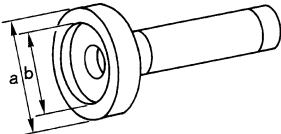
< SERVICE INFORMATION >

PREPARATION

Special Service Tool

INFOID:000000002955740

The actual shapes of Kent-Moore tools may differ from those of special service tools illustrated here.

Tool number (Kent-Moore No.) Tool name	Description
KV381054S0 (J-34286) Puller  ZZA0601D	Removing front oil seal
ST30720000 (J-25405) Drift a: 77 mm (3.03 in) dia. b: 55.5 mm (2.185 in) dia.  ZZA0811D	<ul style="list-style-type: none"> • Installing front oil seal • Installing pinion rear bearing outer race
KV40104100 (—) Attachment  ZZA0804D	Removing side flange (For VQ35DE models)
KV40101000 (—) Attachment  NT159	Removing side flange (For VK45DE models)
ST36230000 (J-25840-A) Sliding hammer  ZZA0803D	Removing side flange
KV38100200 (J-26233) Drift a: 65 mm (2.56 in) dia. b: 49 mm (1.93 in) dia.  ZZA1143D	Installing side oil seal

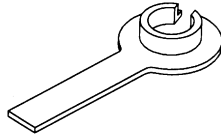
A
B
C
E
F
G
H
I
J
K
L
M
N
O
P

RFD

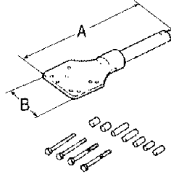
PREPARATION

< SERVICE INFORMATION >

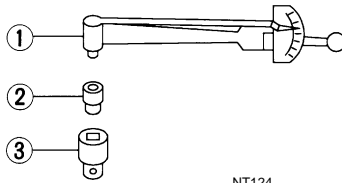
Tool number (Kent-Moore No.) Tool name	Description
KV38107900 (J-39352) Protector	Installing side flange
KV38100800 (J-25604-01) Attachment a: 541 mm (21.30 in) b: 200 mm (7.87 in)	Fixing unit assembly
ST3127S000 (J-25765-A) Preload gauge 1: GG91030000 (J-25765) Torque wrench 2: HT62940000 (—) Socket adapter (1/2") 3: HT62900000 (—) Socket adapter (3/8")	Measuring pinion bearing preload and total preload
KV10111100 (J-37228) Seal cutter	Removing rear cover
ST3306S001 (J-22888-D) Differential side bearing puller set 1: ST33051001 (J-22888-20) Puller 2: ST33061000 (J-8107-2) Base a: 28.5 mm (1.122 in) dia. b: 38 mm (1.50 in) dia.	Removing and installing side bearing inner race
KV40105230 (—) Drift a: 92 mm (3.62 in) dia. b: 86 mm (3.39 in) dia. c: 45 mm (1.77 in) dia.	Installing pinion rear bearing outer race



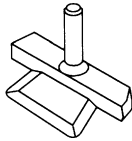
S-NT129



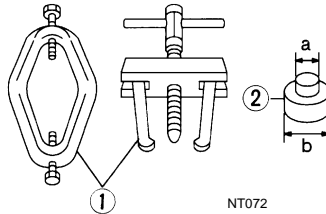
SDIA0267E



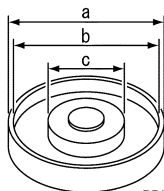
NT124



S-NT046



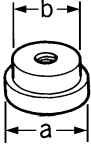
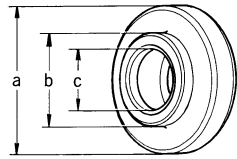

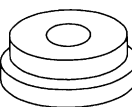
NT072



PDIA0591E

PREPARATION

< SERVICE INFORMATION >

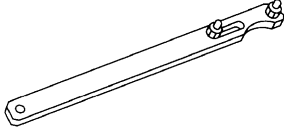
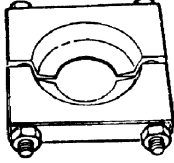
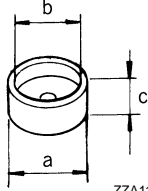
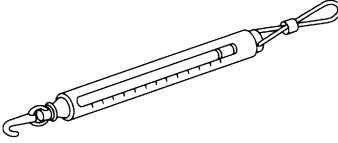
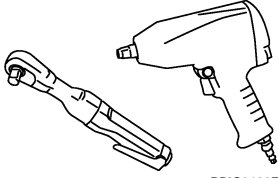
Tool number (Kent-Moore No.) Tool name	Description	
ST30613000 (J-25742-3) Drift a: 72 mm (2.83 in) dia. b: 48 mm (1.89 in) dia.	 <p style="text-align: center;">ZZA1000D</p>	A B C
ST30611000 (J-25742-1) Drift bar	Installing pinion front bearing outer race (Use with ST30613000)	RFD E
ST30901000 (J-26010-01) Drift a: 79 mm (3.11 in) dia. b: 45 mm (1.77 in) dia. c: 35.2 mm (1.386 in) dia.	 <p style="text-align: center;">ZZA0978D</p>	F G H
KV38100300 (J-25523) Drift a: 54 mm (2.13 in) dia. b: 46 mm (1.81 in) dia. c: 32 mm (1.26 in) dia.	Installing side bearing inner race	I J K
(J-34309) Differential shim selector tool	 <p style="text-align: center;">NT134</p>	Adjusting bearing preload and pinion gear height L M
(J-25269-4) Side bearing disc (2 Req'd)	 <p style="text-align: center;">NT136</p>	Selecting pinion height adjusting washer N O P

Commercial Service Tool

INFOID:000000002955741

PREPARATION

< SERVICE INFORMATION >

Tool name	Description
<p>Flange wrench</p>  <p style="text-align: center;">NT035</p>	<p>Removing and installing drive pinion lock nut</p>
<p>Replacer</p>  <p style="text-align: center;">ZZA0700D</p>	<p>Removing pinion rear bearing inner race</p>
<p>Spacer</p> <p>a: 60 mm (2.36 in) dia. b: 36 mm (1.42 in) dia. c: 30 mm (1.18 in)</p>  <p style="text-align: center;">ZZA1133D</p>	<p>Installing pinion front bearing inner race</p>
<p>Spring gauge</p>  <p style="text-align: center;">NT127</p>	<p>Measuring turning torque</p>
<p>Power tool</p>  <p style="text-align: center;">PBIC0190E</p>	<p>Loosening bolts and nuts</p>

NOISE, VIBRATION AND HARSHNESS (NVH) TROUBLESHOOTING

< SERVICE INFORMATION >

NOISE, VIBRATION AND HARSHNESS (NVH) TROUBLESHOOTING

NVH Troubleshooting Chart

INFOID:000000002955742

Use the chart below to help you find the cause of the symptom. If necessary, repair or replace these parts.

Symptom		Possible cause and SUSPECTED PARTS											Reference page
x: Applicable	Noise	x	Gear tooth rough	Refer to RFD-17, "Disassembly and Assembly" .									
		x	Gear contact improper	Refer to RFD-17, "Disassembly and Assembly" .									
		x	Tooth surfaces worn	Refer to RFD-17, "Disassembly and Assembly" .									
		x	Backlash incorrect	Refer to RFD-17, "Disassembly and Assembly" .									
		x	Companion flange excessive runout	Refer to RFD-17, "Disassembly and Assembly" .									
		x	Gear oil improper	Refer to RFD-9, "Checking Differential Gear Oil" .									
		x	PROPELLER SHAFT	NVH in PR section.									
		x	AXLE AND SUSPENSION	NVH in FAX, RAX, FSU and RSU sections.									
		x	TIRE	NVH in WT section.									
		x	ROAD WHEEL	NVH in WT section.									
		x	DRIVE SHAFT	NVH in FAX and RAX section.									
x	BRAKE	NVH in BR section.											
x	STEERING	NVH in PS section.											

x: Applicable

A
B
C
D
E
F
G
H
I
J
K
L
M
N
O
P

RFD

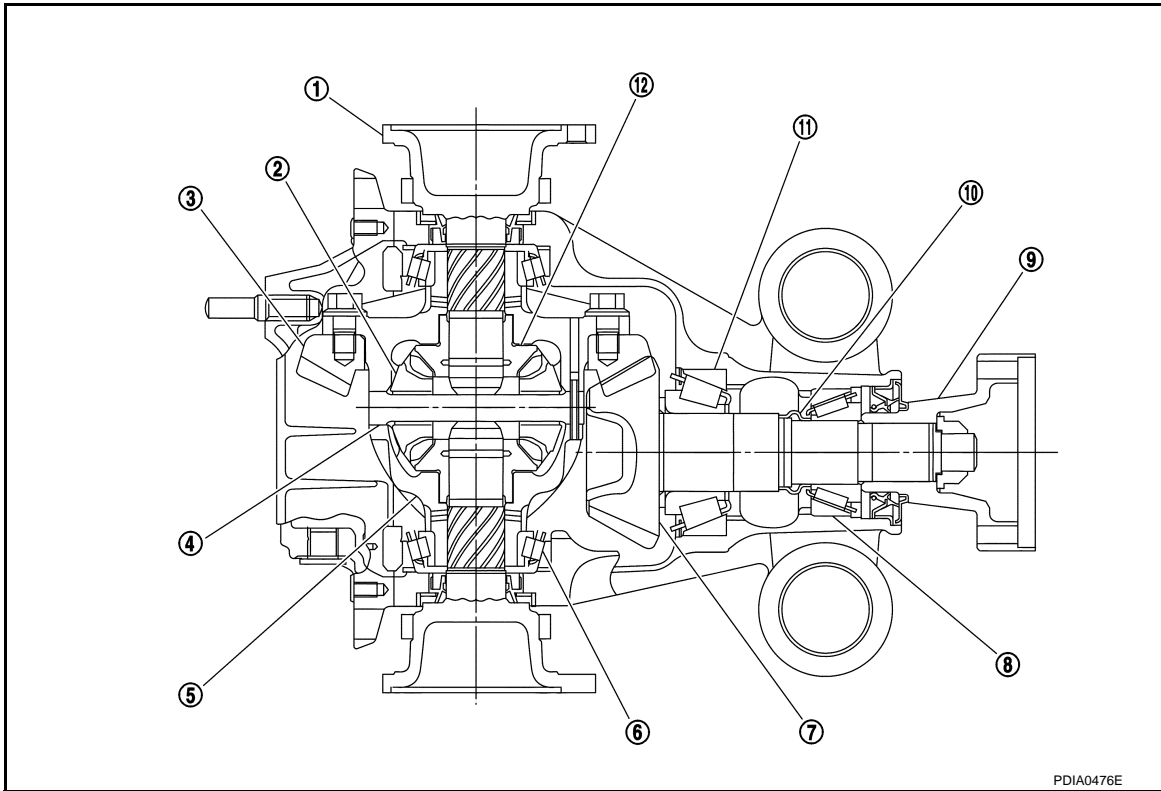
DESCRIPTION

< SERVICE INFORMATION >

DESCRIPTION

Cross-Sectional View

INFOID:00000002955743



- | | | |
|------------------------|-------------------------|---------------------|
| 1. Side flange | 2. Pinion mate gear | 3. Drive gear |
| 4. Pinion mate shaft | 5. Differential case | 6. Side bearing |
| 7. Drive pinion | 8. Pinion front bearing | 9. Companion flange |
| 10. Collapsible spacer | 11. Pinion rear bearing | 12. Side gear |

DIFFERENTIAL GEAR OIL

< SERVICE INFORMATION >

DIFFERENTIAL GEAR OIL

Changing Differential Gear Oil

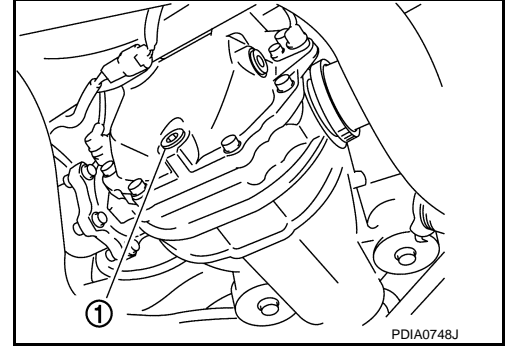
INFOID:000000002955744

DRAINING

1. Stop engine.
2. Remove drain plug (1) and drain gear oil.
3. Set a gasket on drain plug (1) and install it to final drive assembly and tighten to the specified torque. Refer to [RFD-17, "Disassembly and Assembly"](#).

CAUTION:

Never reuse gasket.



FILLING

1. Remove filler plug (1). Fill with new gear oil until oil level reaches the specified level near filler plug mounting hole.

Oil grade and Viscosity:

Refer to [MA-9, "Fluids and Lubricants"](#).

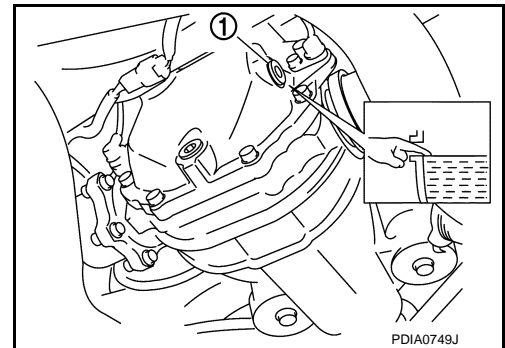
Oil capacity:

Approx. 1.4 l (3 US pt, 2-1/2 Imp pt)

2. After refilling oil, check oil level. Set a gasket to filler plug (1), then install it to final drive assembly. Refer to [RFD-17, "Disassembly and Assembly"](#).

CAUTION:

Never reuse gasket.



Checking Differential Gear Oil

INFOID:000000002955745

OIL LEAKAGE AND OIL LEVEL

- Make sure that oil is not leaking from final drive assembly or around it.
- Remove filler plug (1) and check oil level from filler plug mounting hole as shown in the figure.

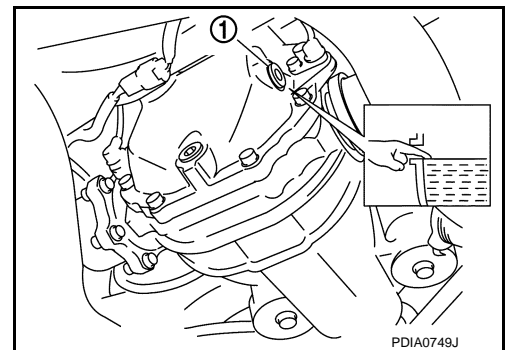
CAUTION:

Never start engine while checking oil level.

- Set a gasket on filler plug (1) and install it on final drive assembly. Refer to [RFD-17, "Disassembly and Assembly"](#).

CAUTION:

Never reuse gasket.



A
B
C
RFD
E
F
G
H
I
J
K
L
M
N
O
P

FRONT OIL SEAL

< SERVICE INFORMATION >

FRONT OIL SEAL

Removal and Installation

INFOID:000000002955746

CAUTION:

Verify identification stamp of replacement frequency put in the lower part of gear carrier to determine replacement for collapsible spacer when replacing front oil seal. Refer to "IDENTIFICATION STAMP OF REPLACEMENT FREQUENCY OF FRONT OIL SEAL". If necessary collapsible spacer replacement, remove final drive assembly and disassemble it to replace front oil seal and collapsible spacer. Refer to [RFD-16, "Removal and Installation"](#) and [RFD-17, "Disassembly and Assembly"](#).

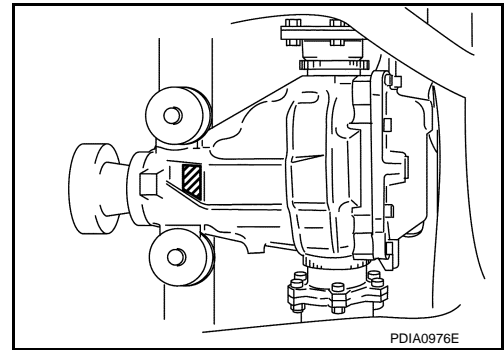
NOTE:

The reuse of collapsible spacer is prohibited in principle. However, it is reusable on a one-time basis only in cases when replacing front oil seal.

IDENTIFICATION STAMP OF REPLACEMENT FREQUENCY OF FRONT OIL SEAL

- The diagonally shaded area in the figure shows stamping point for replacement frequency of front oil seal.
- The following table shows if collapsible spacer replacement is needed before replacing front oil seal.

When collapsible spacer replacement is required, disassemble final drive assembly to replace collapsible spacer and front oil seal. Refer to [RFD-17, "Disassembly and Assembly"](#).



Stamp	collapsible spacer replacement
No stamp	Not required
"0" or "0" on the far right of stamp	Required
"01" or "1" on the far right of stamp	Not required

CAUTION:

Make a stamping after replacing front oil seal.

- After replacing front oil seal, make a stamping on the stamping point in accordance with the table below in order to identify replacement frequency.

CAUTION:

Make a stamping shall be made from left to right.

Stamp before stamping	Stamping on the far right	Stamping
No stamp	0	0
"0" (Front oil seal was replaced once.)	1	01
"01" (Collapsible spacer and front oil seal were replaced last time.)	0	010
"0" is on the far right. (Only front oil seal was replaced last time.)	1	...01
"1" is on the far right. (Collapsible spacer and front oil seal were replaced last time.)	0	...010

REMOVAL

1. Drain gear oil. Refer to [RFD-9, "Changing Differential Gear Oil"](#).
2. Make a judgment if a collapsible spacer replacement is required. Refer to "IDENTIFICATION STAMP OF REPLACEMENT FREQUENCY OF FRONT OIL SEAL".
3. Remove center muffler with a power tool. Refer to [EX-3](#).
4. Remove rear wheel sensor. Refer to [BRC-58](#).
5. Remove drive shaft from final drive. Then suspend it by wire etc. Refer to [RAX-9](#).

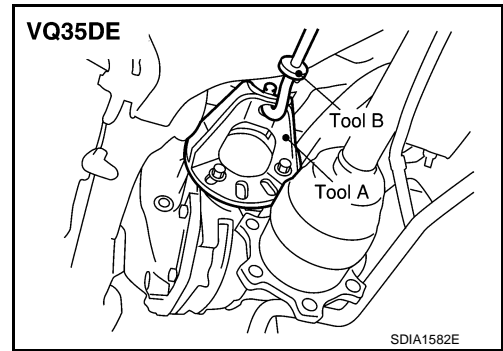
FRONT OIL SEAL

< SERVICE INFORMATION >

6. Install attachment to side flange, and then pull out the side flange with the sliding hammer.
- For VQ35DE models

Tool number **A:** KV40104100 (—)
 B: ST36230000 (J-25840-A)

NOTE:
Circular clip installation position: Final drive side

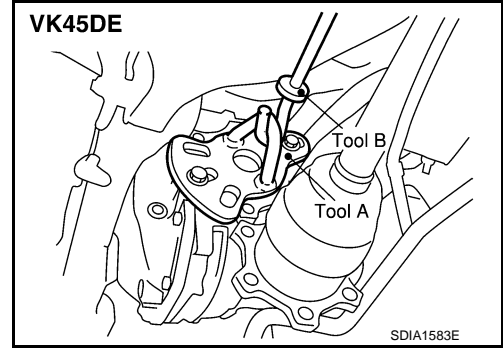


- For VK45DE models

Tool number **A:** KV40101000 (—)
 B: ST36230000 (J-25840-A)

NOTE:
Circular clip installation position: Final drive side

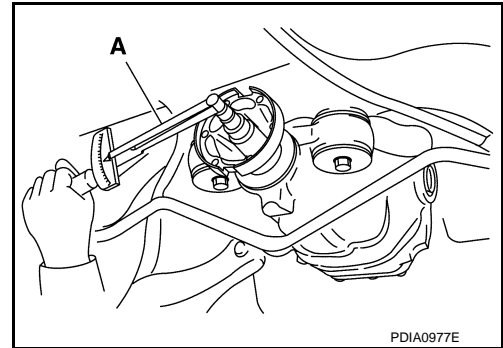
7. Remove propeller shaft. Refer to [PR-9, "Removal and Installation"](#).



8. Measure the total preload with the preload gauge.

Tool number **A:** ST3127S000 (J-25765-A)

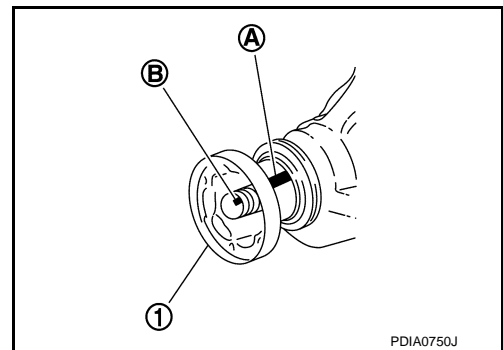
NOTE:
Record the preload measurement.



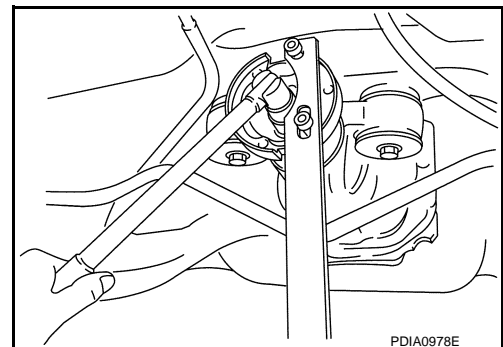
9. Put matching mark (B) on the end of the drive pinion. The matching mark (B) should be in line with the matching mark (A) on companion flange (1).

CAUTION:
For matching mark, use paint. Never damage companion flange and drive pinion.

NOTE:
The matching mark (A) on the final drive companion flange (1) indicates the maximum vertical runout position.



10. Remove drive pinion lock nut using the flange wrench.



A

B

C

RFD

E

F

G

H

I

J

K

L

M

N

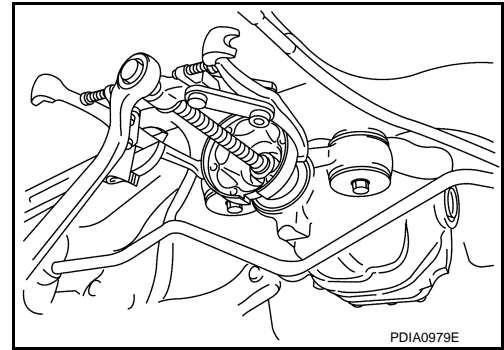
O

P

FRONT OIL SEAL

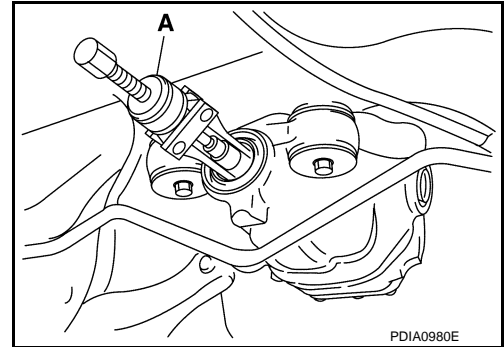
< SERVICE INFORMATION >

11. Remove companion flange using a puller.



12. Remove front oil seal using the puller.

Tool number A: KV381054S0 (J-34286)



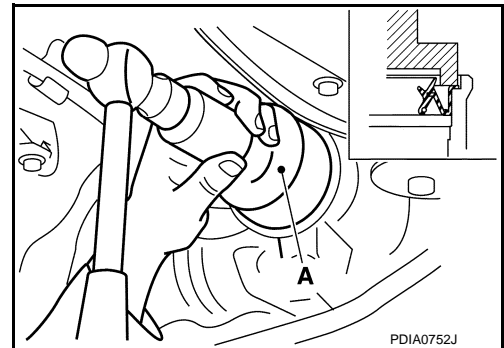
INSTALLATION

1. Apply multi-purpose grease to front oil seal lips.
2. Install front oil seal using the drift as shown in figure.

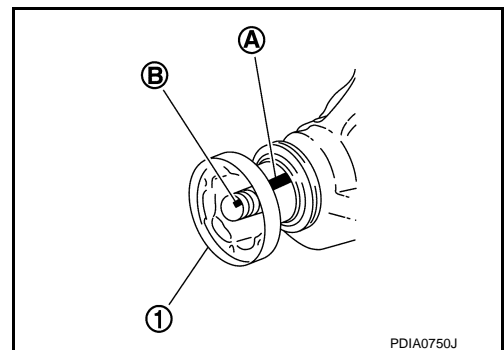
Tool number A: ST30720000 (J-25405)

CAUTION:

- Never reuse oil seal.
- Never incline oil seal when installing.



3. Align the matching mark (B) of drive pinion with the matching mark (A) of companion flange (1), and then install the companion flange (1).



FRONT OIL SEAL

< SERVICE INFORMATION >

4. Apply anti-corrosion oil to the thread and seat of new drive pinion lock nut, and temporarily tighten drive pinion lock nut to drive pinion.

CAUTION:

Never reuse drive pinion lock nut.

5. Tighten to drive pinion lock nut, while adjust total preload torque.

Tool number A: ST3127S000 (J-25765-A)

Drive pinion lock nut tightening torque:

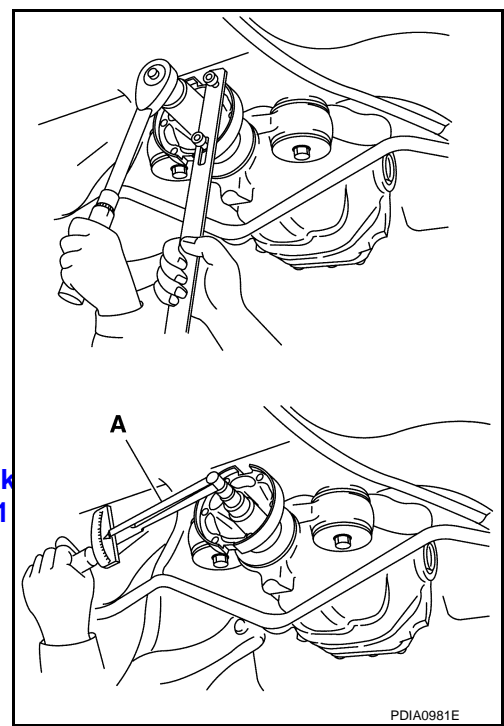
147 - 323 N·m (15 - 32 kg·m, 109 - 238 ft·lb)

Total preload torque:

Total preload torque should equal the measurement taken during removal plus an additional 0.1 - 0.4 N·m (0.01 - 0.04 kg·m, 1 - 3 in·lb).

CAUTION:

- Adjust to the lower limit of the drive pinion lock nut tightening torque first.
- If the preload torque exceeds the specified value, replace collapsible spacer and tighten it again to adjust. Never loosen drive pinion lock nut to adjust the preload torque.



6. Make a stamping for identification of front oil seal replacement frequency. Refer to "IDENTIFICATION STAMP OF REPLACEMENT FREQUENCY OF FRONT OIL SEAL".

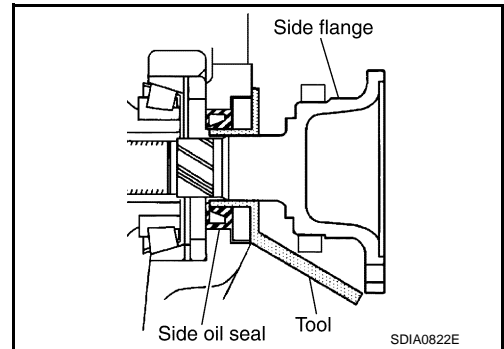
CAUTION:

Be sure to make a stamping after replacing front oil seal.

7. Install propeller shaft. Refer to [PR-9, "Removal and Installation"](#).
8. Install side flange with the following procedure.
 - a. Attach the protector to side oil seal.

Tool number : KV38107900 (J-39352)

- b. After the side flange is inserted and the serrated part of side gear has engaged the serrated part of flange, remove the protector.



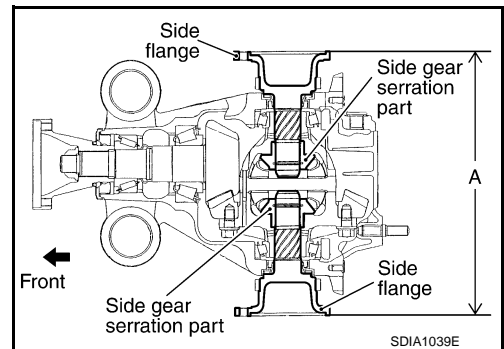
- c. Put a suitable drift on the center of side flange, then drive it until sound changes.

NOTE:

When installation is completed, driving sound of the side flange turns into a sound which seems to affect the whole final drive.

- d. Confirm that the dimension of the side flange installation [measurement (A)] in the figure comes into the following.

Measurement A: 326 - 328 mm (12.83 - 12.91 in)



9. Install drive shaft. Refer to [RAX-9](#).
10. Install rear wheel sensor. Refer to [BRC-58](#).
11. Install center muffler. Refer to [EX-3](#).
12. Refill gear oil to the final drive and check oil level. Refer to [RFD-9, "Changing Differential Gear Oil"](#).
13. Check the final drive for oil leakage. Refer to [RFD-9, "Checking Differential Gear Oil"](#).

SIDE OIL SEAL

< SERVICE INFORMATION >

SIDE OIL SEAL

Removal and Installation

INFOID:000000002955747

REMOVAL

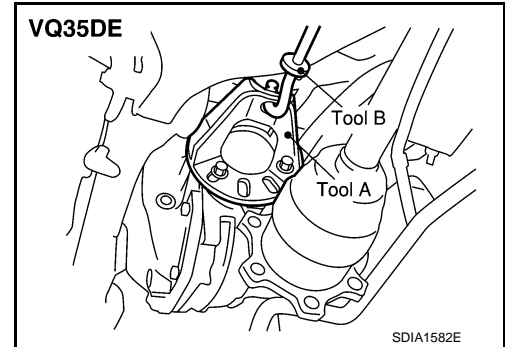
1. Remove center muffler with a power tool. Refer to [EX-3](#).
2. Remove rear wheel sensor. Refer to [BRC-58](#).
3. Remove drive shaft from final drive with a power tool. Then suspend it by wire etc. Refer to [RAX-9](#).
4. Install attachment to side flange, and then pull out the side flange with the sliding hammer.

- For VQ35DE models

Tool number **A: KV40104100 (—)**
 B: ST36230000 (J-25840-A)

NOTE:

Circular clip installation position: Final drive side

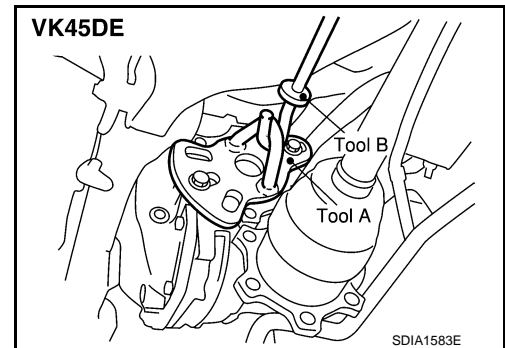


- For VK45DE models

Tool number **A: KV40101000 (—)**
 B: ST36230000 (J-25840-A)

NOTE:

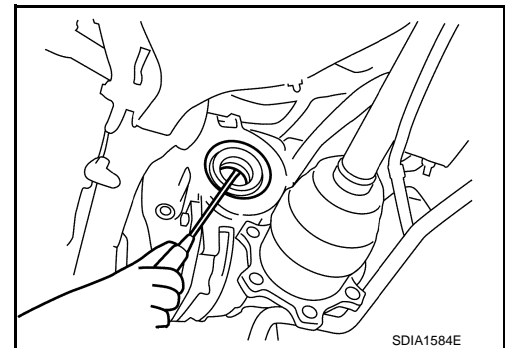
Circular clip installation position: Final drive side



5. Remove side oil seal, using a flat-bladed screwdriver.

CAUTION:

Be careful not to damage gear carrier.



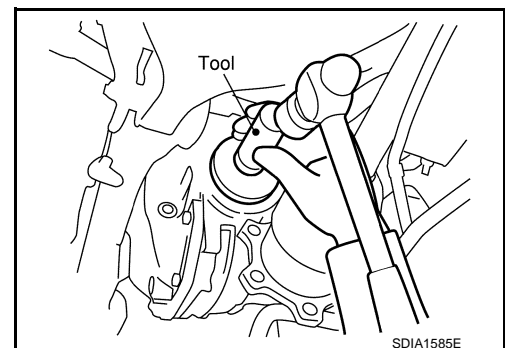
INSTALLATION

1. Apply multi-purpose grease to side oil seal lips.
2. Install side oil seal until it becomes flush with the case end, using the drift.

Tool number **: KV38100200 (J-26233)**

CAUTION:

- Never reuse oil seal.
- When installing, never incline oil seal.



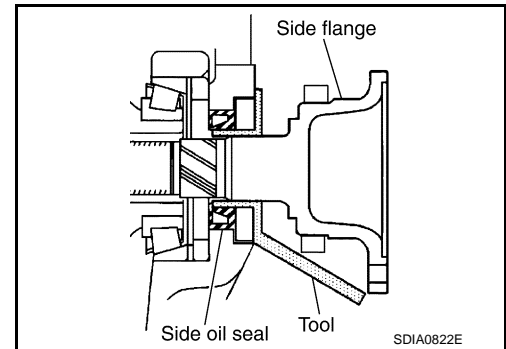
SIDE OIL SEAL

< SERVICE INFORMATION >

3. Install side flange with the following procedure.
 - a. Attach the protector to side oil seal.

Tool number : KV38107900 (J-39352)

- b. After the side flange is inserted and the serrated part of side gear has engaged the serrated part of flange, remove the protector.



- c. Put a suitable drift on the center of side flange, then drive it until sound changes.

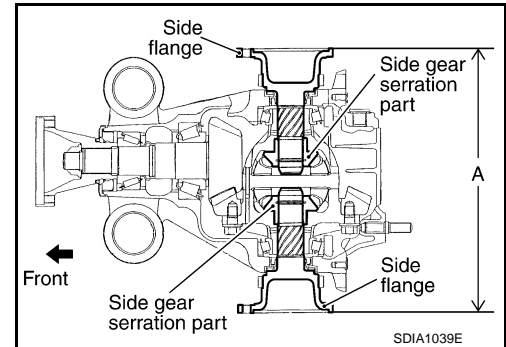
NOTE:

When installation is completed, driving sound of the side flange turns into a sound which seems to affect the whole final drive.

- d. Confirm that the dimension of the side flange installation [measurement (A)] in the figure comes into the following.

Measurement A: 326 - 328 mm (12.83 - 12.91 in)

4. Install drive shaft. Refer to [RAX-9](#).
5. Install rear wheel sensor. Refer to [BRC-58](#).
6. Install center muffler. Refer to [EX-3](#).
7. When oil leaks while removing, check oil level after the installation. Refer to [RFD-9, "Checking Differential Gear Oil"](#).



A
B
C
RFD
E
F
G
H
I
J
K
L
M
N
O
P

REAR FINAL DRIVE ASSEMBLY

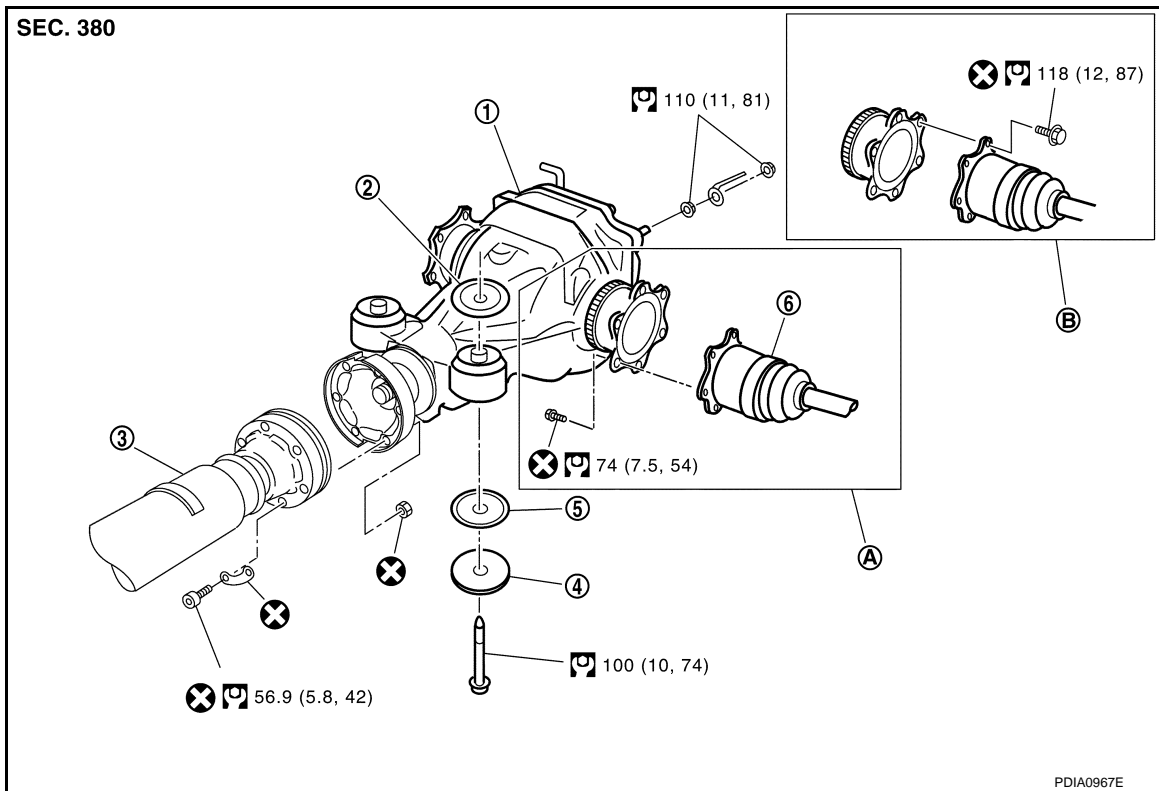
< SERVICE INFORMATION >

REAR FINAL DRIVE ASSEMBLY

Removal and Installation

INFOID:00000002955748

COMPONENTS



- | | | |
|------------------------------|------------------|--------------------|
| 1. Rear final drive assembly | 2. Upper stopper | 3. Propeller shaft |
| 4. Washer | 5. Lower stopper | 6. Drive shaft |

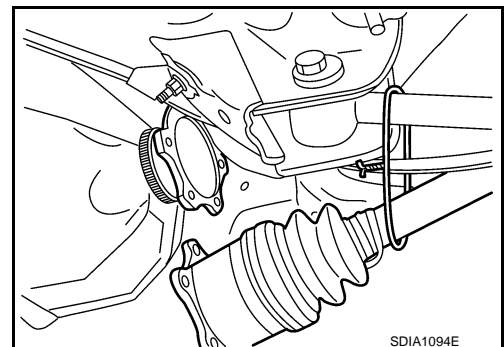
A: For VQ35DE models

B: For VK45DE models

Refer to [GI-9, "Component"](#), for the symbols in the figure.

REMOVAL

1. Remove center muffler with a power tool. Refer to [EX-3](#).
2. Remove rear stabilizer bar with a power tool. Refer to [RSU-16](#).
3. Remove propeller shaft from the final drive. Refer to [PR-9, "Removal and Installation"](#).
4. Remove drive shaft from final drive with a power tool. Then suspend it by wire etc. Refer to [RAX-9](#).
5. Remove breather hose from the final drive.
6. Remove rear wheel sensor. Refer to [BRC-58](#).



REAR FINAL DRIVE ASSEMBLY

< SERVICE INFORMATION >

7. Set a suitable jack to rear final drive assembly.

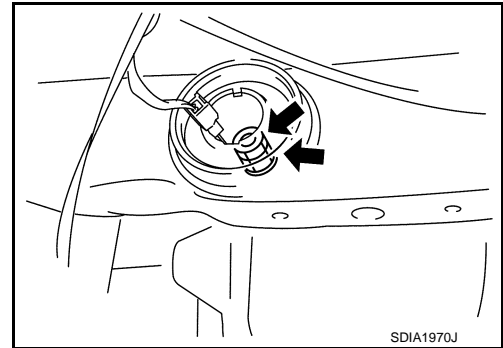
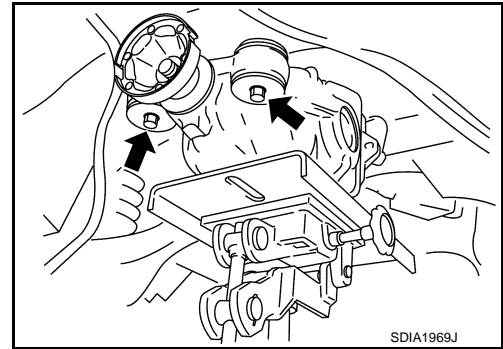
CAUTION:

Never place a suitable jack on the rear cover (aluminum case).

8. Remove the mounting bolts and nuts connecting to the suspension member, and remove rear final drive assembly with a power tool.

CAUTION:

Secure rear final drive assembly to a suitable jack while removing it.



INSTALLATION

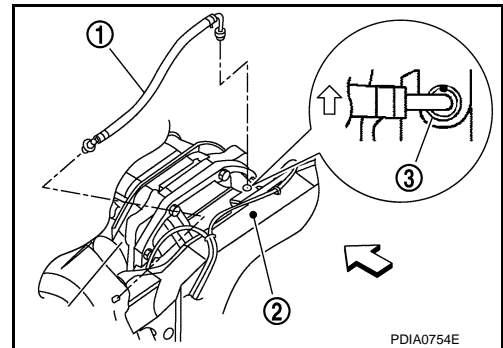
Note the following, and installation is in the reverse order of removal.

- Refer to "COMPONENTS" about each tightening torque.
- When installing breather hoses (1), refer to the figure.

CAUTION:

Make sure there are no pinched or restricted areas on the breather hose caused by bending or winding when installing it.

- For installation, the vehicle side end shall be inserted to suspension member (2). Install metal connector (3) side of this hose to rear cover by inserting it with aiming painted marking to the front of vehicle.
- When oil leaks while removing final drive assembly, check oil level after the installation. Refer to [RFD-9, "Checking Differential Gear Oil"](#).



Disassembly and Assembly

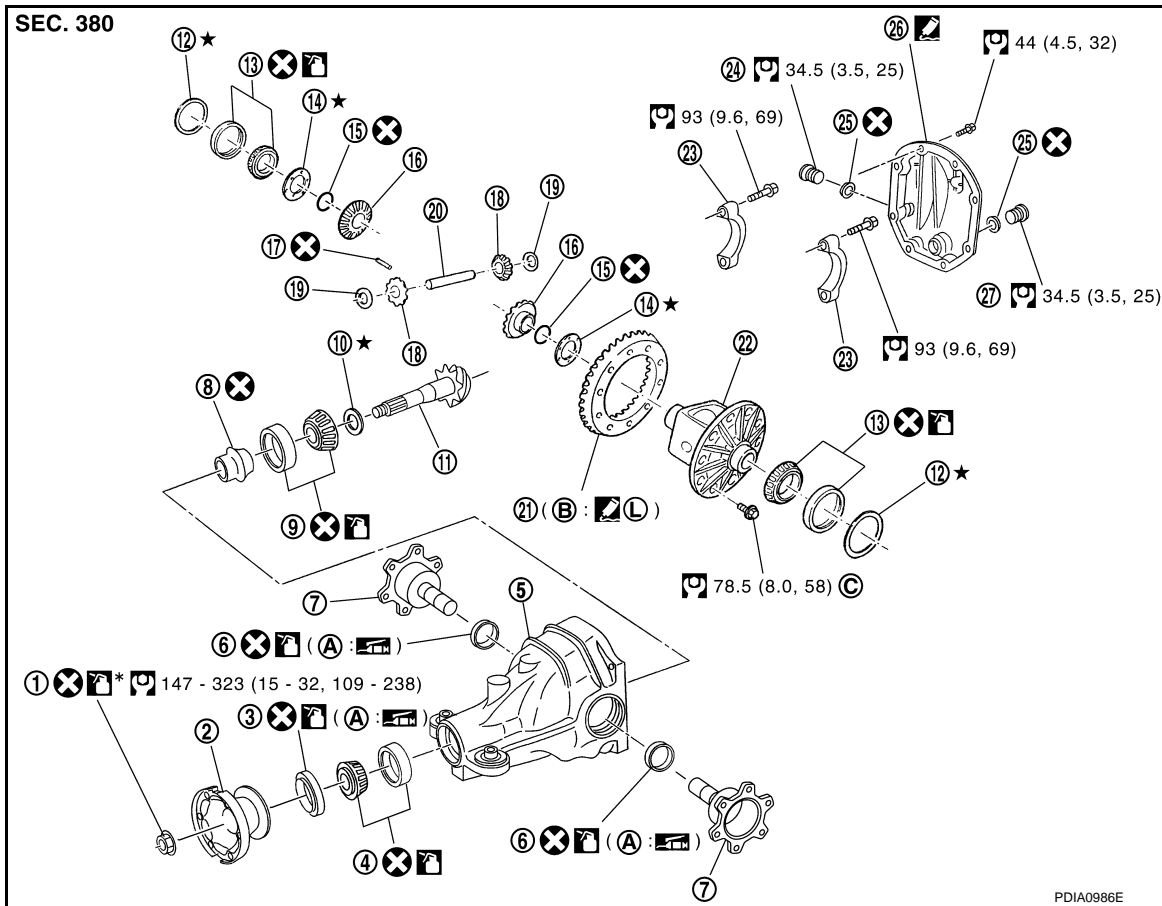
INFOID:000000002955749

COMPONENTS

A
B
C
RFD
E
F
G
H
I
J
K
L
M
N
O
P

REAR FINAL DRIVE ASSEMBLY

< SERVICE INFORMATION >



- | | | |
|------------------------------------|-----------------------------|-----------------------------------|
| 1. Drive pinion lock nut | 2. Companion flange | 3. Front oil seal |
| 4. Pinion front bearing | 5. Gear carrier | 6. Side oil seal |
| 7. Side flange | 8. Collapsible spacer | 9. Pinion rear bearing |
| 10. Pinion height adjusting washer | 11. Drive pinion | 12. Side bearing adjusting washer |
| 13. Side bearing | 14. Side gear thrust washer | 15. Circular clip |
| 16. Side gear | 17. Lock pin | 18. Pinion mate gear |
| 19. Pinion mate thrust washer | 20. Pinion mate shaft | 21. Drive gear |
| 22. Differential case | 23. Bearing cap | 24. Filler plug |
| 25. Gasket | 26. Rear cover | 27. Drain plug |
- A: Oil seal lip
B: Screw hole
C: After tightening the bolts to the specified torque, tighten the bolts additionally by turning the bolts 31 to 36 degrees.

Refer to [GI-9, "Component"](#) and the followings for the symbols in the figure.

- Apply gear oil.
- Apply anti-corrosion oil.
- Apply Genuine Silicone RTV or equivalent. Refer to [GI-44, "Recommended Chemical Product and Sealant"](#).
- Apply Genuine High Strength Thread Locking Sealant or equivalent. Refer to [GI-44, "Recommended Chemical Product and Sealant"](#).

ASSEMBLY INSPECTION AND ADJUSTMENT

- Before inspection and adjustment, drain gear oil.

Total Preload Torque

1. Secure final drive assembly onto an attachment.

REAR FINAL DRIVE ASSEMBLY

< SERVICE INFORMATION >

Tool number **A: KV38100800 (J-25604-01)**

2. Remove side flanges.
3. Rotate drive pinion back and forth 2 to 3 times to check for unusual noise and rotation malfunction.
4. Rotate drive pinion at least 20 times to check for smooth operation of the bearing.
5. Measure total preload with the preload gauge.

Tool number **A: ST3127S000 (J-25765-A)**

Total preload torque:

2.84 - 3.75 N·m (0.29 - 0.38 kg·m, 26 - 33 in·lb)

NOTE:

Total preload torque = Pinion bearing preload torque + Side bearing preload torque

- If measured value is out of the specification, disassemble it to check and adjust each part. Adjust the pinion bearing preload and side bearing preload.
Adjust the pinion bearing preload first, then adjust the side bearing preload.

When the preload torque is large

On pinion bearings: **Replace the collapsible spacer.**

On side bearings: **Use thinner side bearing adjusting washers by the same amount to each side. Refer to [RFD-38, "Inspection and Adjustment"](#).**

When the preload is small

On pinion bearings: **Tighten the drive pinion lock nut.**

On side bearings: **Use thicker side bearing adjusting washers by the same amount to each side. Refer to [RFD-38, "Inspection and Adjustment"](#).**

Drive Gear Runout

1. Remove rear cover. Refer to "Differential Assembly".
2. Fit a dial indicator to the drive gear back face.
3. Rotate the drive gear to measure runout.

Runout limit: **0.05 mm (0.0020 in)**

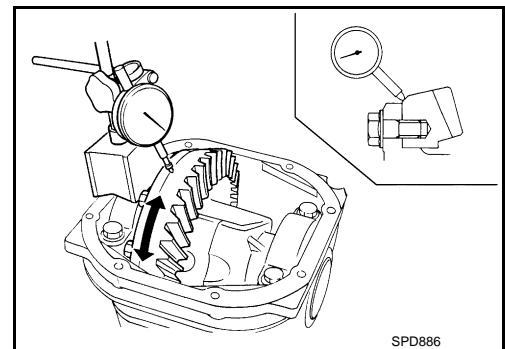
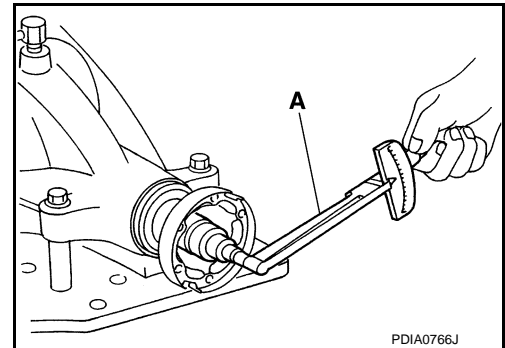
- If the runout is outside of the repair limit, check drive gear assembly condition; foreign material may be caught between drive gear and differential case, or differential case or drive gear may be deformed, etc.

CAUTION:

Replace drive gear and drive pinion gear as a set.

Tooth Contact

1. Remove rear cover. Refer to "Differential Assembly".



A
B
C
RFD
E
F
G
H
I
J
K
L
M
N
O
P

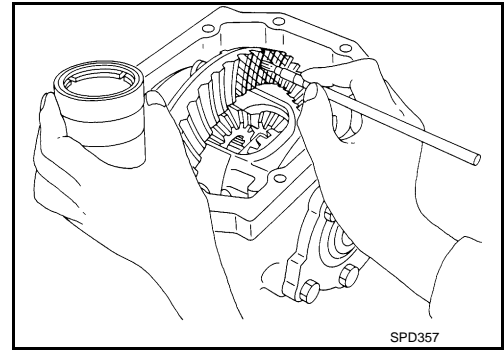
REAR FINAL DRIVE ASSEMBLY

< SERVICE INFORMATION >

2. Apply red lead to drive gear.

CAUTION:

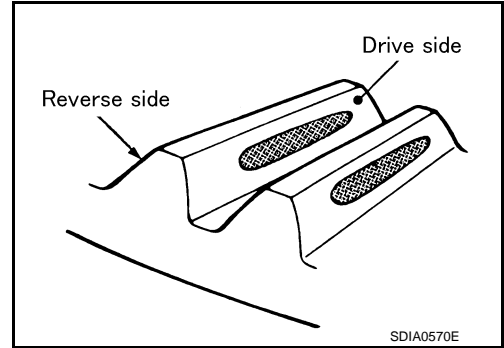
Apply red lead to both the faces of 3 to 4 gears at 4 locations evenly spaced on drive gear.



3. Rotate drive gear back and forth several times, check drive pinion gear to drive gear tooth contact.

CAUTION:

Check tooth contact on drive side and reverse side.



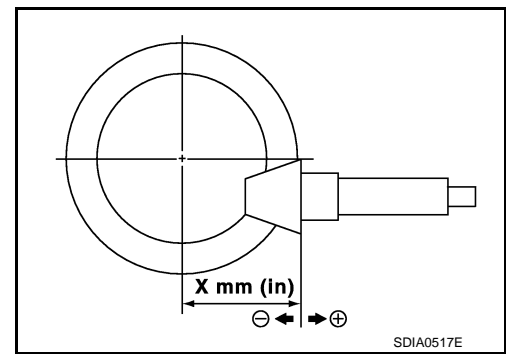
Tooth contact condition		Pinion height adjusting washer selection valve [mm (in)]	Adjustment (Yes/No)	Possible cause	
Drive side	Back side				
Heel side Toe side 	Toe side Heel side 	↑ Thicker	Yes	Occurrence of noise and scoring sound in all speed ranges.	
					+0.09 (+0.0035)
					+0.06 (+0.0024)
		+0.03 (+0.0012)	No	-	
		0			
		-0.03 (-0.0012)			
		↓ Thinner	Yes	Occurrence of noise at constant speed and decreasing speed.	
					-0.06 (-0.0024)
					-0.09 (-0.0035)

SDIA0207E

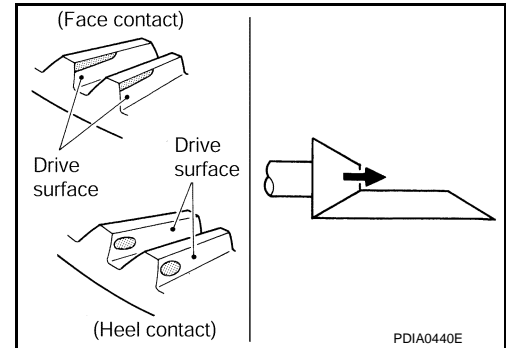
REAR FINAL DRIVE ASSEMBLY

< SERVICE INFORMATION >

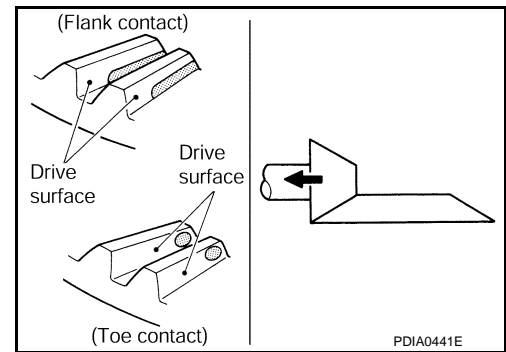
- If tooth contact is improperly adjusted, follow the procedure below to adjust the pinion height (dimension X).



- If the tooth contact is near the face (face contact), or near the heel (heel contact), thicken pinion height adjusting washers to move drive pinion closer to drive gear. Refer to [RFD-38, "Inspection and Adjustment"](#).



- If the tooth contact is near the flank (flank contact), or near the toe (toe contact), thin pinion height adjusting washers to move drive pinion farther from drive gear. Refer to [RFD-38, "Inspection and Adjustment"](#).



Backlash

- Remove rear cover. Refer to "Differential Assembly".
- Fit a dial indicator to the drive gear face to measure the backlash.

Backlash: 0.10 - 0.15 mm (0.0039 - 0.0059 in)

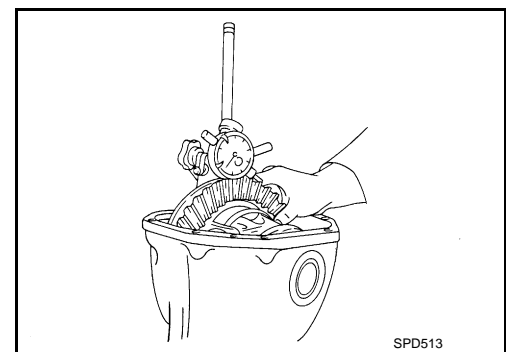
- If the backlash is outside of the specified value, change the thickness of side bearing adjusting washer.

When the backlash is large:

Make drive gear back side adjusting washer thicker, and drive gear tooth side adjusting washer thinner by the same amount. Refer to [RFD-38, "Inspection and Adjustment"](#).

When the backlash is small:

Make drive gear back side adjusting washer thinner, and drive gear tooth side adjusting washer thicker by the same amount. Refer to [RFD-38, "Inspection and Adjustment"](#).



CAUTION:

A
B
C
RFD
E
F
G
H
I
J
K
L
M
N
O
P

REAR FINAL DRIVE ASSEMBLY

< SERVICE INFORMATION >

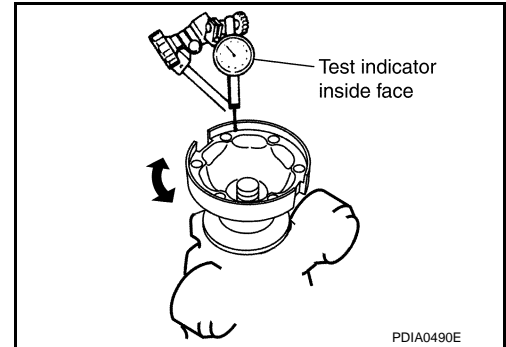
Never change the total amount of washers as it will change the bearing preload.

Companion Flange Runout

1. Fit a test indicator to the inner side of companion flange (socket diameter).
2. Rotate companion flange to check for runout.

Runout limit: 0.08 mm (0.0031 in)

3. If the runout value is outside the runout limit, follow the procedure below to adjust.
 - a. Check for runout while changing the phase between companion flange and drive pinion by 90° step, and search for the position where the runout is the minimum.
 - b. If the runout value is still outside of the limit after the phase has been changed, possible cause will be an assembly malfunction of drive pinion and pinion bearing and malfunction of pinion bearing. Check for these items and repair if necessary.
 - c. If the runout value is still outside of the limit after the check and repair, replace companion flange.



DISASSEMBLY

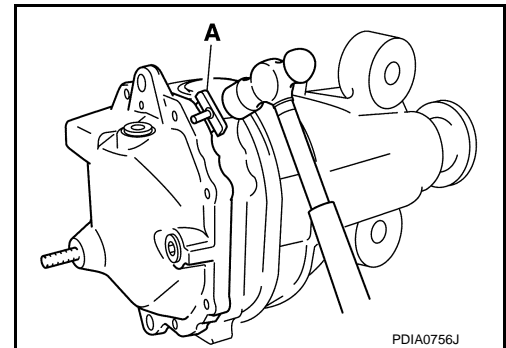
Differential Assembly

1. Drain gear oil, if necessary.
2. Remove side flange.
3. Remove rear cover mounting bolts.
4. Remove rear cover to insert the seal cutter between gear carrier and rear cover.

Tool number A: KV10111100 (J-37228)

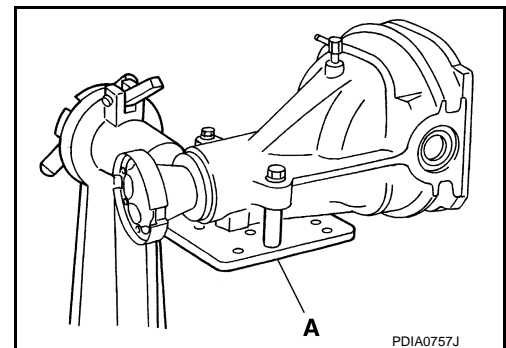
CAUTION:

- Be careful not to damage the mating surface.
- Never insert flat-bladed screwdriver, this way damage the mating surface.



5. Using two 45 mm (1.77 in) spacers, mount carrier on the attachment.

Tool number A: KV38100800 (J-25604-01)



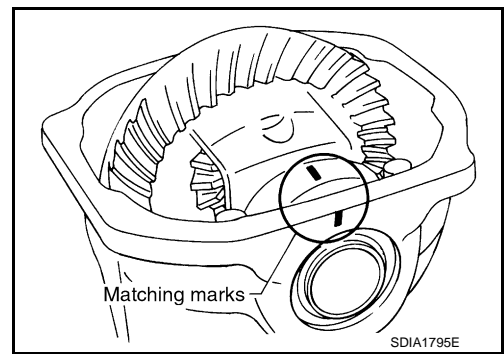
REAR FINAL DRIVE ASSEMBLY

< SERVICE INFORMATION >

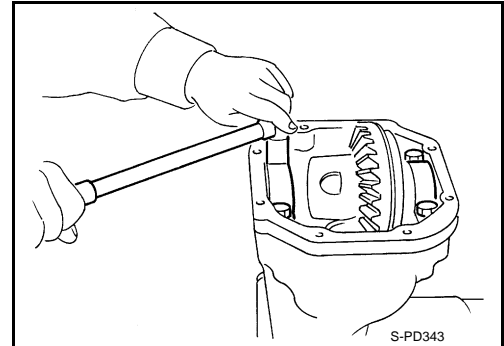
6. For proper reinstallation, paint matching marks on one side of the bearing cap.

CAUTION:

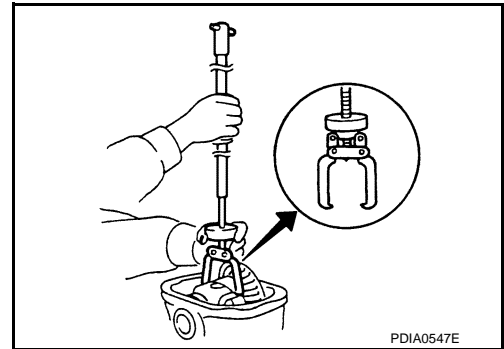
- For matching marks, use paint. Never damage bearing caps and gear carrier.
- Bearing caps are line-board during manufacture. The matching marks are used to reinstall them in their original positions.



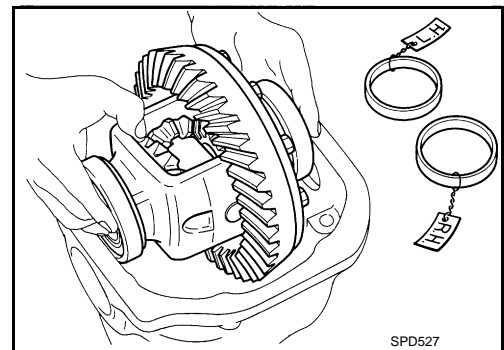
7. Remove bearing caps.



8. Lift differential case assembly out with a suitable tool.



- Keep side bearing outer races together with inner race. Never mix them up. Also, keep side bearing adjusting washers together with bearings.



A
B
C
RFD
E
F
G
H
I
J
K
L
M
N
O
P

REAR FINAL DRIVE ASSEMBLY

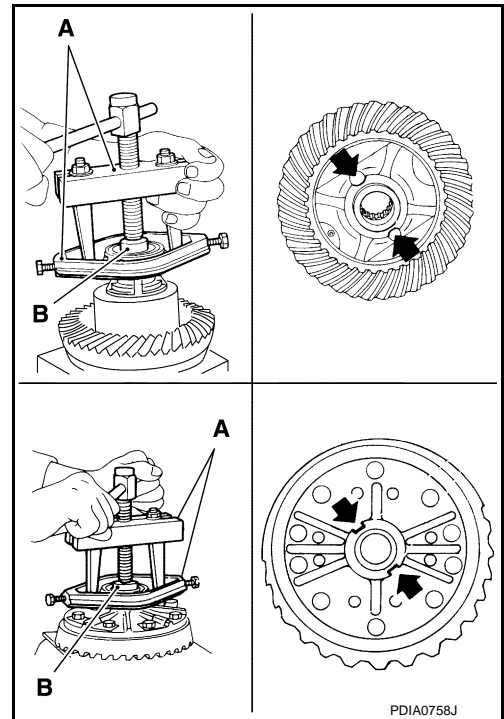
< SERVICE INFORMATION >

9. Remove side bearing inner race.
To prevent damage to bearing, engage puller jaws in groove (←).

Tool number **A:** ST33051001 (J-22888-20)
 B: ST33061000 (J-8107-2)

CAUTION:

- To prevent damage to the side bearing and drive gear, place copper plates between these parts and vise.
- It is not necessary to remove side bearing inner race except it is replaced.



10. For proper reinstallation, paint matching marks on one differential case assembly.

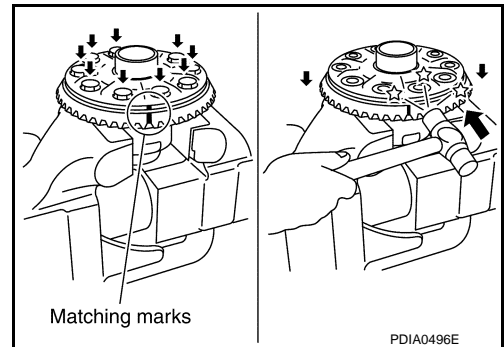
CAUTION:

For matching marks, use paint. Never damage differential case and drive gear.

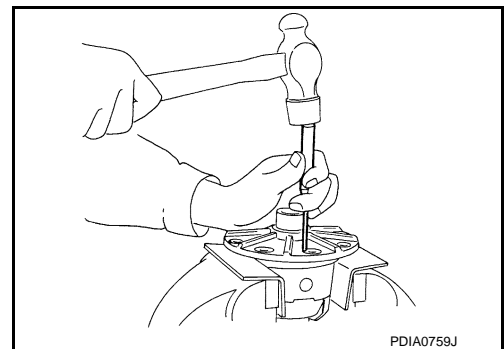
11. Remove drive gear mounting bolts.
12. Tap drive gear off differential case assembly with a soft hammer.

CAUTION:

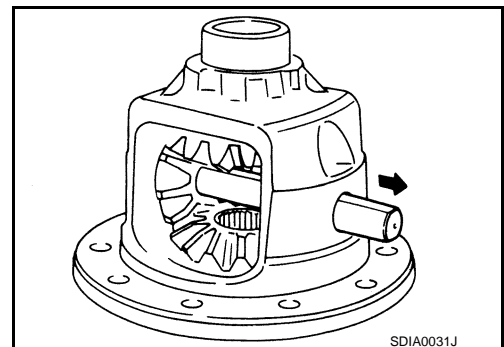
Tap evenly all around to keep drive gear from bending.



13. Remove lock pin of pinion mate shaft with a punch from drive gear side.



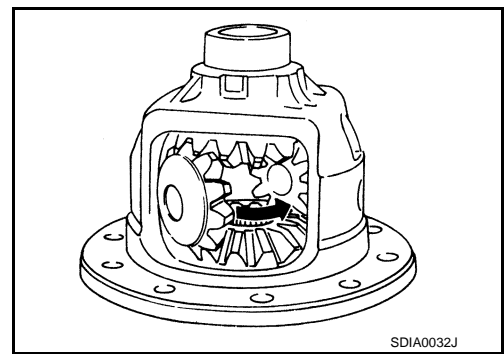
14. Remove pinion mate shaft.



REAR FINAL DRIVE ASSEMBLY

< SERVICE INFORMATION >

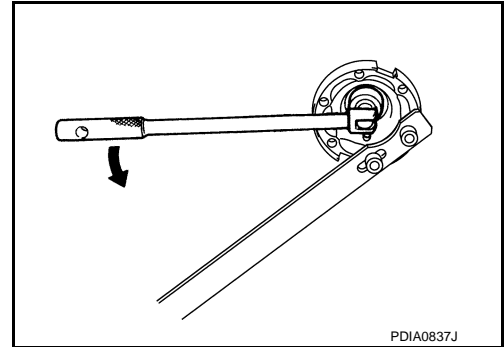
15. Turn pinion mate gear, then remove pinion mate gear, pinion mate thrust washer, side gear and side gear thrust washer from differential case.



A
B
C

Drive Pinion Assembly

1. Remove differential assembly. Refer to "Differential Assembly".
2. Remove drive pinion lock nut with the flange wrench.



RFD

E
F
G
H

3. Put matching mark (B) on the end of drive pinion. The matching mark should be in line with the matching mark (A) on companion flange (1).

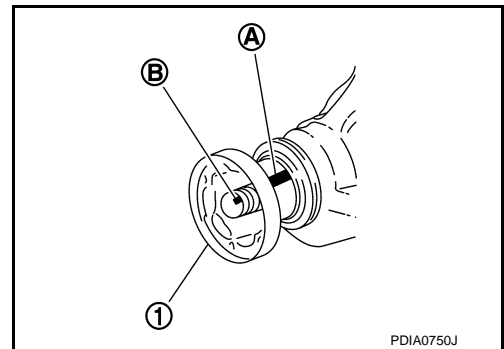
CAUTION:

For matching mark, use paint. Never damage companion flange and drive pinion.

NOTE:

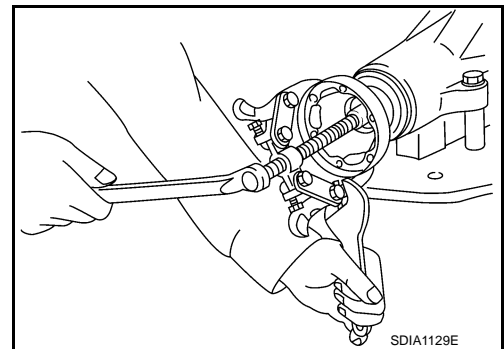
The matching mark (A) on the final drive companion flange (1) indicates the maximum vertical runout position.

When replacing companion flange, matching mark is not necessary.



I
J
K

4. Remove companion flange using the suitable puller.



L
M
N
O
P

REAR FINAL DRIVE ASSEMBLY

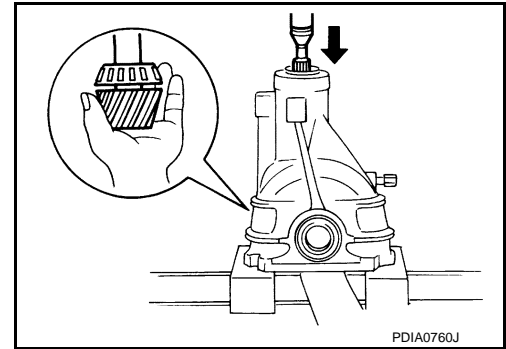
< SERVICE INFORMATION >

5. Press drive pinion assembly out of gear carrier.

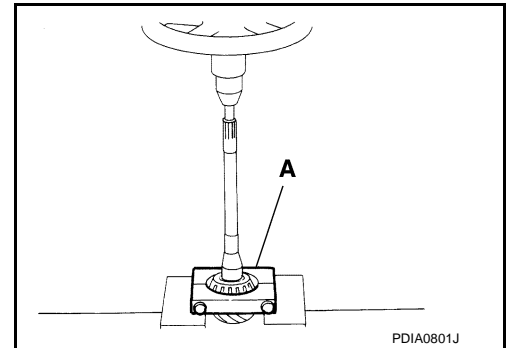
CAUTION:

Never drop drive pinion assembly.

6. Remove front oil seal.
7. Remove side oil seal.
8. Remove pinion front bearing inner race.
9. Remove collapsible spacer.



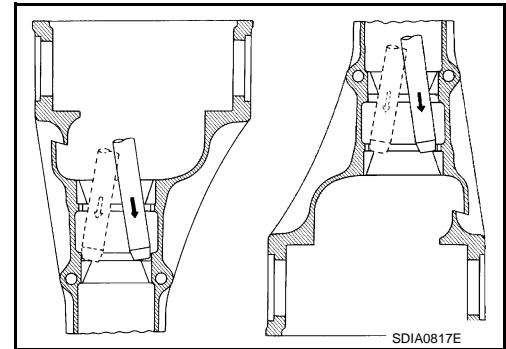
10. Remove pinion rear bearing inner race and pinion height adjusting washer with the replacer (A) (commercial service tool).



11. Tap pinion front/rear bearing outer races uniformly a brass rod or equivalent to removed.

CAUTION:

Be careful not to damage gear carrier.



INSPECTION AFTER DISASSEMBLY

Clean up the disassembled parts. Then, inspect if the parts are worn or damaged. If so, follow the measures below.

Content	Conditions and Measures
Drive gear and drive pinion	<ul style="list-style-type: none"> • If the gear teeth never mesh or line-up correctly, determine the cause and adjust or replace as necessary. • If the gears are worn, cracked, damaged, pitted or chipped (by friction) noticeably, replace with new drive gear and drive pinion as a set.
Bearing	<ul style="list-style-type: none"> • If any chipped (by friction), pitted, worn, rusted or scratched marks, or unusual noise from the bearing is observed, replace as a bearing assembly (as a new set).
Side gear and pinion mate gear	<ul style="list-style-type: none"> • If any cracks or damage on the surface of the tooth is found, replace. • If any worn or chipped mark on the contact sides of the thrust washer is found, replace.
Side gear thrust washer and pinion mate thrust washer	<ul style="list-style-type: none"> • If it is chipped (by friction), damaged, or unusually worn, replace.
Oil seal	<ul style="list-style-type: none"> • Whenever disassembled, replace. • If wear, deterioration of adherence (sealing force lips), or damage is detected on the lips, replace them.
Differential case	<ul style="list-style-type: none"> • If any wear or crack on the contact sides of the differential case is found, replace.
Companion flange	<ul style="list-style-type: none"> • If any chipped mark (about 0.1 mm, 0.004 in) or other damage on the contact sides of the lips of the companion flange is found, replace.

ADJUSTMENT AND SELECTION OF ADJUSTING WASHERS

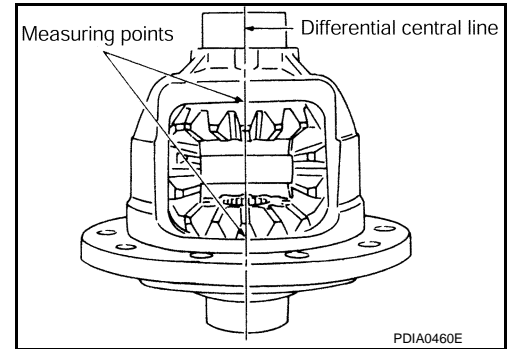
REAR FINAL DRIVE ASSEMBLY

< SERVICE INFORMATION >

Differential Side Gear Clearance

- Assemble the differential parts if they are disassembled. Refer to "Differential Assembly".

1. Place differential case straight up so that side gear to be measured comes upward.



2. Using feeler gauge, measure the clearance between side gear back and differential case at 3 different points, while rotating side gear. Average the 3 readings, and then measure the clearance of the other side as well.

Side gear back clearance specification:

0.2 mm (0.008 in) or less.

(Each gear should rotate smoothly without excessive resistance during differential motion.)

CAUTION:

To prevent side gear from tilting, insert feeler gauges with the same thickness from both sides.

3. If the back clearance is outside the specification, use a thicker/thinner side gear thrust washer to adjust. Refer to [RFD-38, "Inspection and Adjustment"](#).

When the back clearance is large:

Use a thicker thrust washer.

When the back clearance is small:

Use a thinner thrust washer.

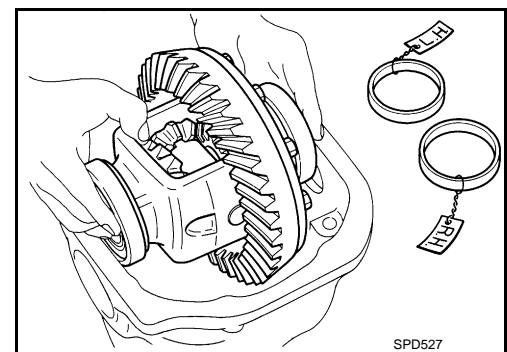
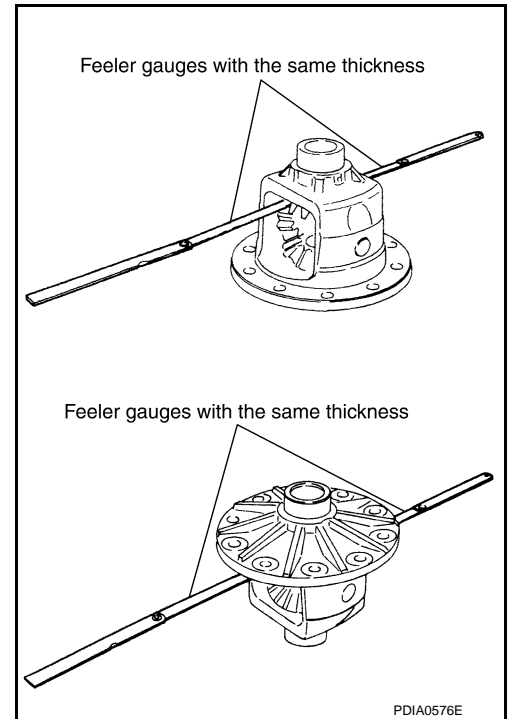
CAUTION:

Select a side gear thrust washer for right and left individually.

Side Bearing Preload

- Selecting carrier side bearing adjusting washers is required for successful completion of this procedure.

1. Make sure all parts are clean. Also, make sure the bearings are well lubricated with gear oil.
2. Place the differential case, with side bearings and bearing races installed, into gear carrier.

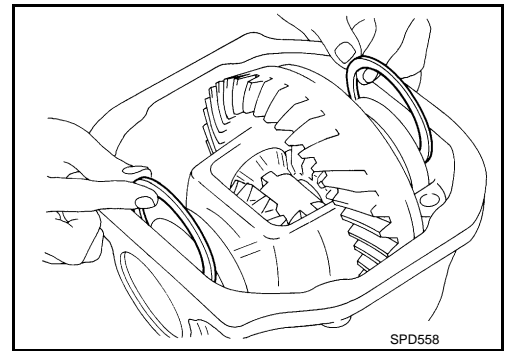


A
B
C
RFD
E
F
G
H
I
J
K
L
M
N
O
P

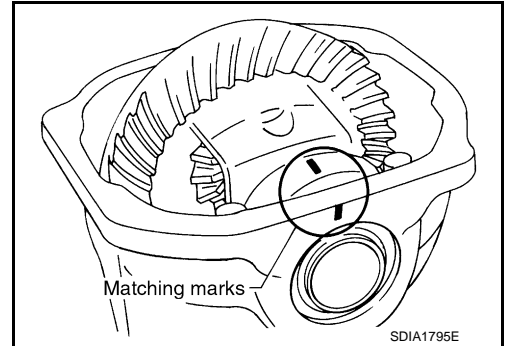
REAR FINAL DRIVE ASSEMBLY

< SERVICE INFORMATION >

3. Insert left and right original side bearing adjusting washers in place between side bearings and gear carrier.



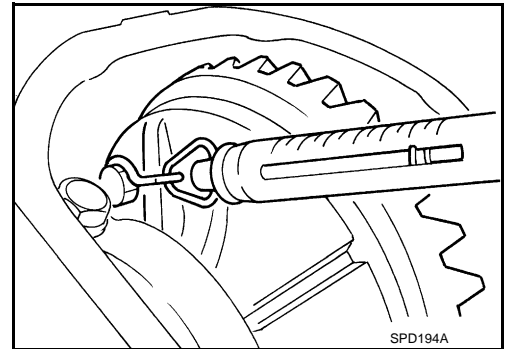
4. Install bearing caps in their correct locations and tighten bearing cap mounting bolts to the specified torque. Refer to "COMPONENTS".
5. Turn the carrier several times to seat the bearings.



6. Measure the turning torque of the carrier at the drive gear mounting bolts with a spring gauge (commercial service tool).

Specification:

34.2 - 39.2 N (3.5 - 4.0 kg, 7.7 - 8.8 lb) of pulling force at the drive gear bolt



7. If the turning torque is outside the specification, use a thicker/thinner side bearing adjusting washer to adjust. Refer to [RFD-38, "Inspection and Adjustment"](#).

If the turning torque is less than the specified range:

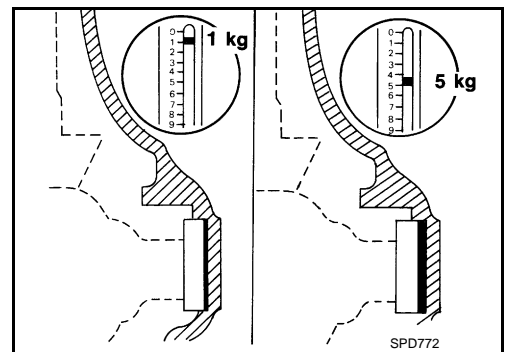
Use a thicker thrust washer.

If the turning torque is greater than the specification:

Use a thinner thrust washer.

CAUTION:

Select a side bearing adjusting washer for right and left individually.



8. Record the total amount of washer thickness required for the correct carrier side bearing preload.

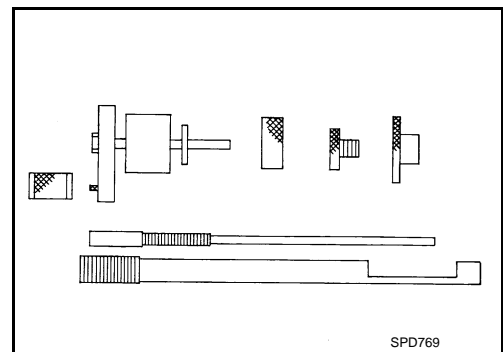
Pinion Gear Height

REAR FINAL DRIVE ASSEMBLY

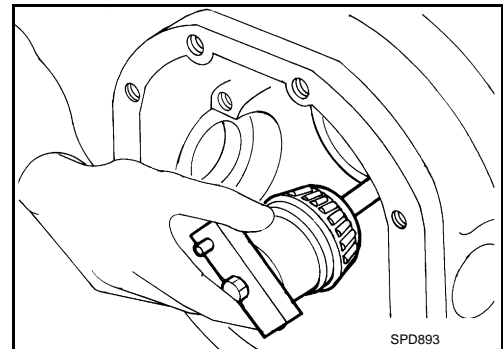
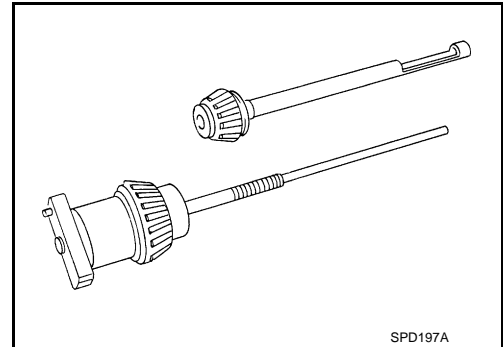
< SERVICE INFORMATION >

1. Make sure all parts are clean and that the bearings are well lubricated.
2. Assemble the pinion gear bearings into the differential shim selector tool.

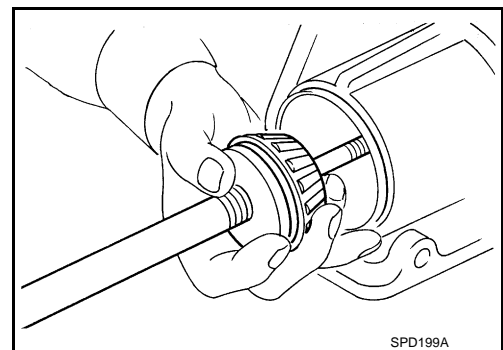
Tool number : — (J-34309)



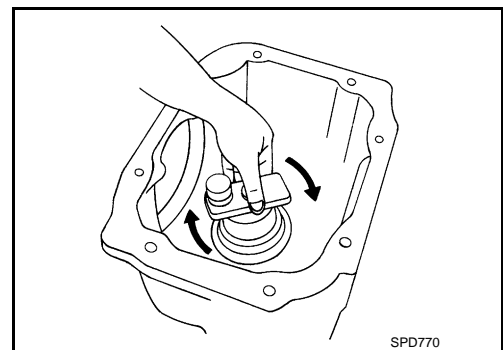
- **Pinion front bearing**; make sure the J-34309-3 pinion front bearing seat is secured tightly against the J-34309-2 gauge anvil. Then turn the pinion front bearing pilot, J-34309-5, to secure the bearing in its proper position.
 - **Pinion rear bearing**; the pinion rear bearing pilot, J-34309-8, is used to center the pinion rear bearing only. The pinion rear bearing locking seat, J-34309-4, is used to lock the bearing to the assembly.
 - **Installation of J-34309-9 and J-34309-16**; place a suitable 2.5 mm (0.098 in) thick plain washer between J-34309-9 and J-34309-16. Both surfaces of J-34309-9 and J-34309-16 must be parallel with a clearance of 2.5 mm (0.098 in).
3. Install the pinion rear bearing inner race into gear carrier. Then place the pinion preload shim selector tool, J-34309-1, gauge screw assembly.



4. Assemble the pinion front bearing inner race and the J-34309-2 gauge anvil. Assemble them together with the J-34309-1 gauge screw in gear carrier. Make sure that the pinion height gauge plate, J-34309-16, will turn a full 360 degrees. Tighten the two sections together by hand.



5. Turn the assembly several times to seat the bearings.



A
B
C
RFD
E
F
G
H
I
J
K
L
M
N
O
P

REAR FINAL DRIVE ASSEMBLY

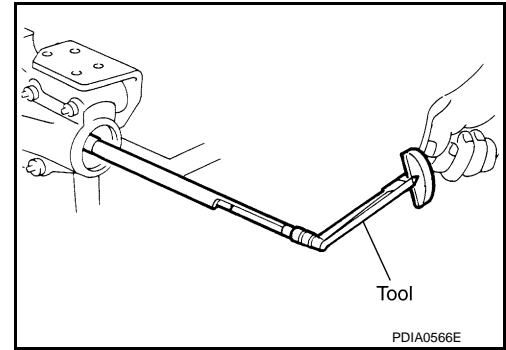
< SERVICE INFORMATION >

6. Measure the turning torque at the end of the J-34309-2 gauge anvil using preload gauge.

Tool number : ST3127S000 (J-25765- A)

Turning torque specification:

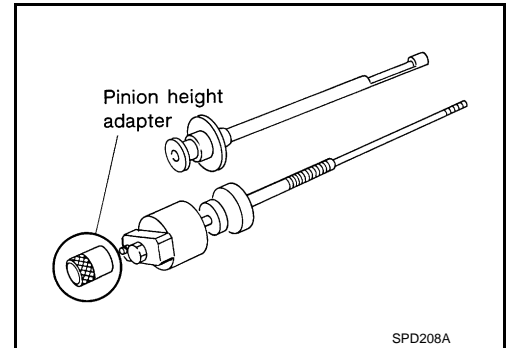
1.0 - 1.3 N-m (0.11 - 0.13 kg-m, 9 - 11 in-lb)



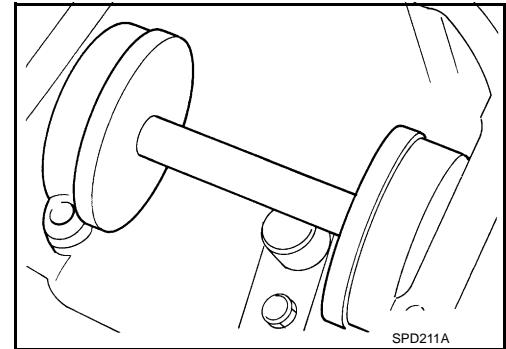
7. Place the J-34309-11 "R200A" pinion height adapter onto the gauge plate and tighten it by hand.

CAUTION:

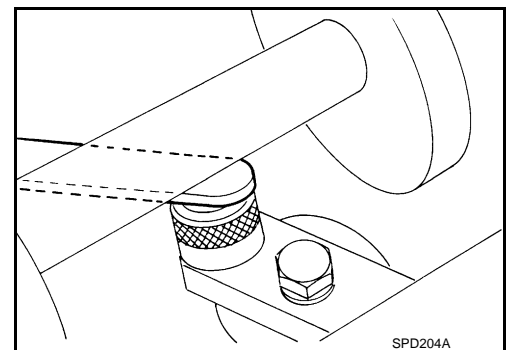
Make sure all machined surfaces are clean.



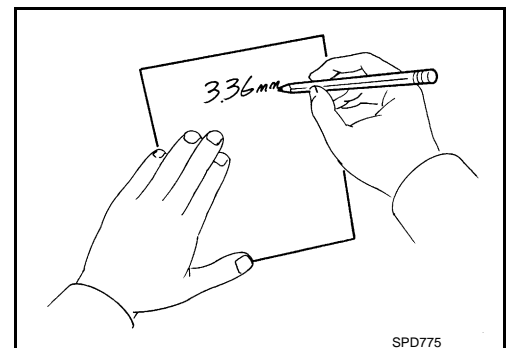
8. Position the side bearing discs, J-25269-4, and arbor firmly into the side bearing bores. Install the bearing caps and tighten bearing cap mounting bolts to the specified torque. Refer to "COMPONENTS".



9. Select the correct standard pinion height adjusting washer thickness. Select by using a standard gauge of 3 mm (0.12 in) and your J-34309-101 feeler gauge. Measure the distance between the J-34309-11 pinion height adapter including the standard gauge and the arbor.



10. Write down exact measurement (the value of feeler gauge).

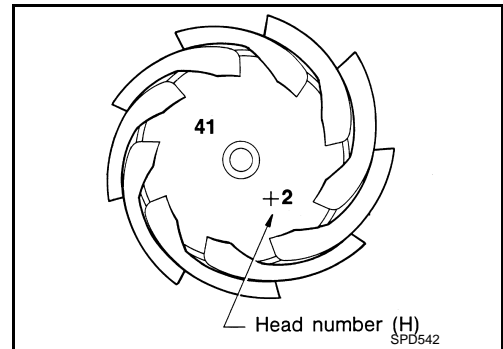


REAR FINAL DRIVE ASSEMBLY

< SERVICE INFORMATION >

11. Correct the pinion height washer size by referring to the “pinion head number”.

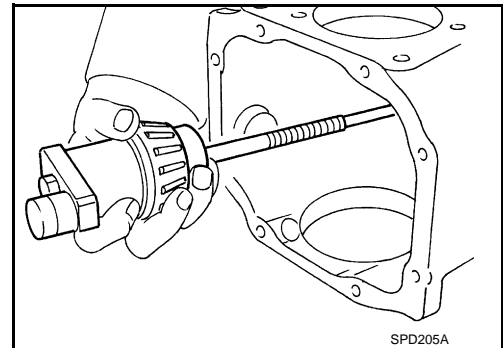
There are two numbers painted on the drive pinion. The first one refers to the drive pinion and drive gear as a matched set. This number should be the same as the number on the drive gear. The second number is the “pinion head height number”. It refers to the ideal pinion height from standard for quietest operation. Use the following chart to determine the correct pinion height washer.



Pinion head height number	Add or remove from the standard pinion height adjusting washer thickness measurement
-6	Add 0.06 mm (0.0024 in)
-5	Add 0.05 mm (0.0020 in)
-4	Add 0.04 mm (0.0016 in)
-3	Add 0.03 mm (0.0012 in)
-2	Add 0.02 mm (0.0008 in)
-1	Add 0.01 mm (0.0004 in)
0	Use the selected washer thickness
+1	Subtract 0.01 mm (0.0004 in)
+2	Subtract 0.02 mm (0.0008 in)
+3	Subtract 0.03 mm (0.0012 in)
+4	Subtract 0.04 mm (0.0016 in)
+5	Subtract 0.05 mm (0.0020 in)
+6	Subtract 0.06 mm (0.0024 in)

12. Select the correct pinion height adjusting washer. Refer to [RFD-38. "Inspection and Adjustment"](#).

13. Remove the J-34309 differential shim selector tool from the final drive housing. Then disassemble to retrieve the pinion bearings.



ASSEMBLY

Drive Pinion Assembly

A
B
C
RFD
E
F
G
H
I
J
K
L
M
N
O
P

REAR FINAL DRIVE ASSEMBLY

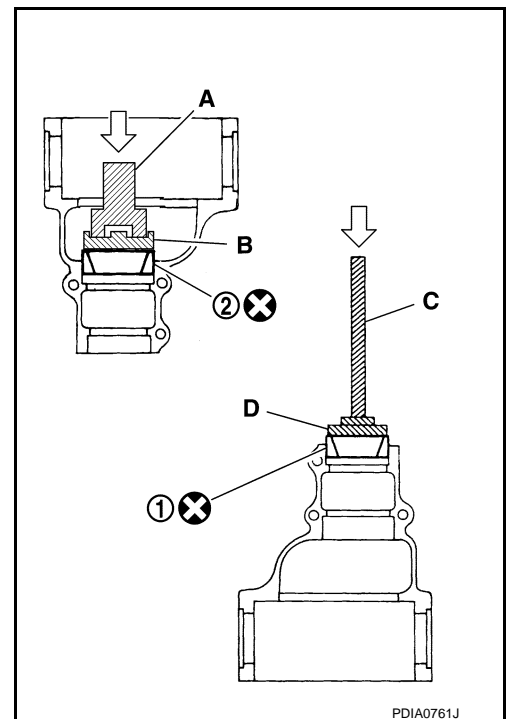
< SERVICE INFORMATION >

1. Install front bearing outer race (1) and rear bearing outer race (2) using drifts.

Tool number **A: ST30720000 (J-25405)**
 B: KV40105230 (—)
 C: ST30611000 (J-25742-1)
 D: ST30613000 (J-25742-3)

CAUTION:

- At first, using a hammer, tap bearing outer race until it becomes flat to gear carrier.
 - Never reuse pinion front and rear bearing outer race.
2. Select drive pinion height adjusting washer. Refer to "Pinion Gear Height".

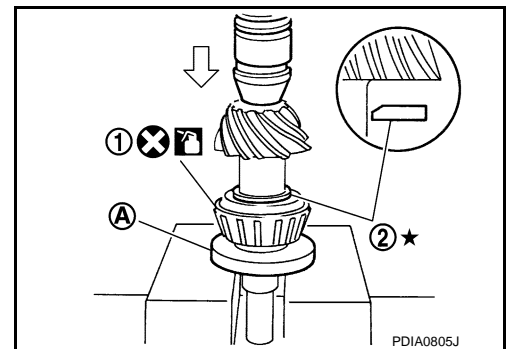


3. Install selected drive pinion height adjusting washer (2) to drive pinion. Press pinion rear bearing inner race (1) to it, using drift.

Tool number **A: ST30901000 (J-26010-01)**

CAUTION:

- Pay attention to the direction of pinion height adjusting washer. (Assemble as shown in the figure.)
- Never reuse pinion rear bearing inner race.



4. Assemble collapsible spacer to drive pinion.

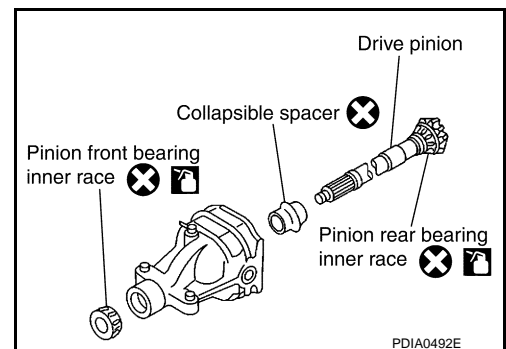
CAUTION:

Never reuse collapsible spacer.

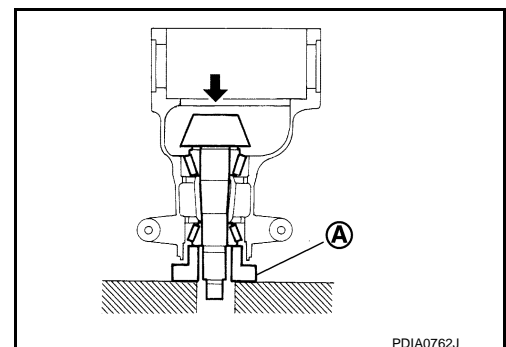
5. Apply gear oil to pinion rear bearing, and assemble drive pinion into gear carrier.
6. Apply gear oil to pinion front bearing, and assemble pinion front bearing inner race to drive pinion assembly.

CAUTION:

Never reuse pinion front bearing inner race.



7. Using suitable spacer (A), press the pinion front bearing inner race to drive pinion as far as drive pinion nut can be tightened.



REAR FINAL DRIVE ASSEMBLY

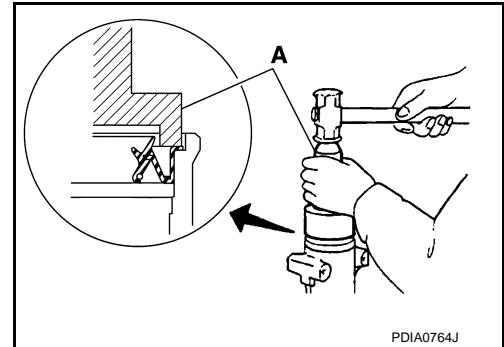
< SERVICE INFORMATION >

8. Using the drift, install front oil seal as shown in figure.

Tool number **A: ST30720000 (J-25405)**

CAUTION:

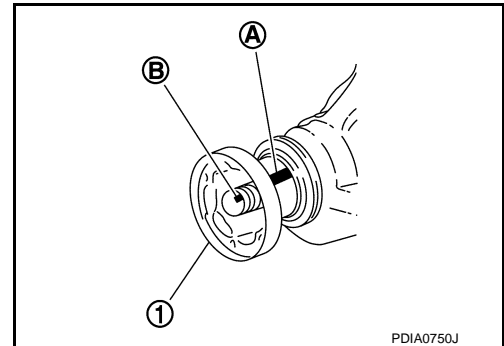
- Never reuse oil seal.
- When installing, never incline oil seal.
- Apply multi-purpose grease onto oil seal lips, and gear oil onto the circumference of oil seal.



9. Install companion flange (1).

NOTE:

When reusing drive pinion, align the matching mark (B) of drive pinion with the matching mark (A) of companion flange, and then install companion flange (1).



10. Apply anti-corrosion oil to the thread and seat of drive pinion lock nut, and temporarily tighten drive pinion lock nut to drive pinion.

CAUTION:

Never reuse drive pinion lock nut.

11. Adjust to the drive pinion lock nut tightening torque and pinion bearing preload torque.

Tool number **A: ST3127S000 (J-25765-A)**

Drive pinion lock nut tightening torque:

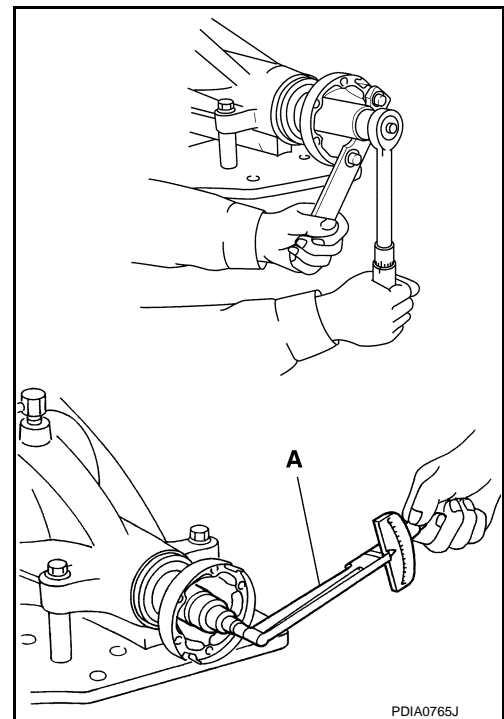
147 - 323 N·m (15 - 32 kg·m, 109 - 238 ft·lb)

Drive pinion bearing preload:

2.65 - 3.23 N·m (0.27 - 0.32 kg·m, 24 - 28 in·lb)

CAUTION:

- Adjust to the lower limit of the drive pinion lock nut tightening torque first.
- If the preload torque exceeds the specified value, replace collapsible spacer and tighten it again to adjust. Never loosen drive pinion lock nut to adjust the preload torque.
- After adjustment, rotate drive pinion back and forth 2 to 3 times to check for unusual noise, rotation malfunction, and other malfunctions.



12. Install differential case assembly. Refer to "Differential Assembly".

CAUTION:

Never install rear cover yet.

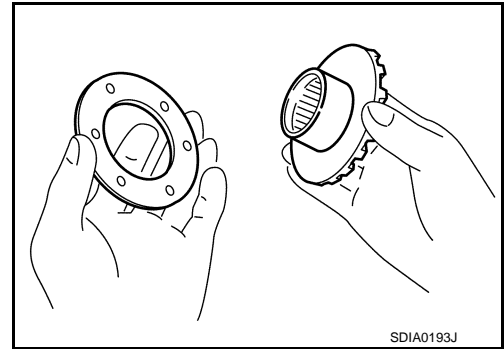
13. Check and adjust drive gear runout, tooth contact, drive gear to drive pinion backlash, and companion flange runout. Refer to "Drive Gear Runout", "Tooth Contact", "Backlash", "Companion Flange Runout". Recheck above items. Readjust the above description, if necessary.
14. Check total preload torque. Refer to "Total Preload Torque".
15. Install rear cover. Refer to "Differential Assembly".

Differential Assembly

REAR FINAL DRIVE ASSEMBLY

< SERVICE INFORMATION >

1. Install side gear thrust washers with the same thickness as the ones installed prior to disassembly or reinstall the old ones on the side gears.

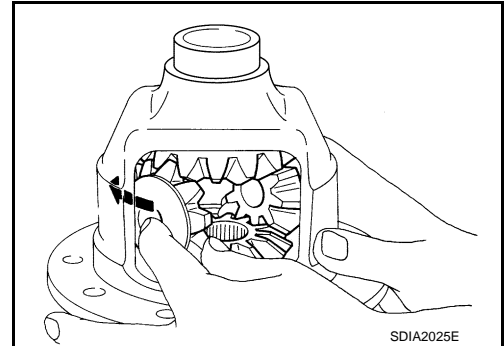


2. Install side gears and thrust washers into differential case.

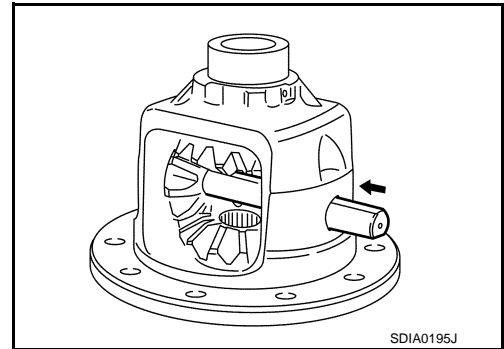
CAUTION:

Make sure that the circular clip is installed to side gears.

3. Align 2 pinion mate gears in diagonally opposite positions, then rotate and install them into differential case after installing thrust washer to pinion mate gear.



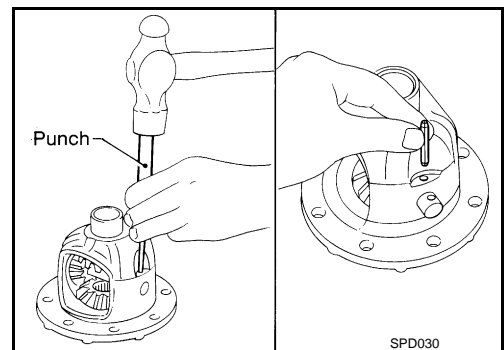
4. Align the lock pin holes on differential case with shaft, and install pinion mate shaft.
5. Measure side gear end play. If necessary, select the appropriate side gear thrust washers. Refer to "Differential Side Gear Clearance".



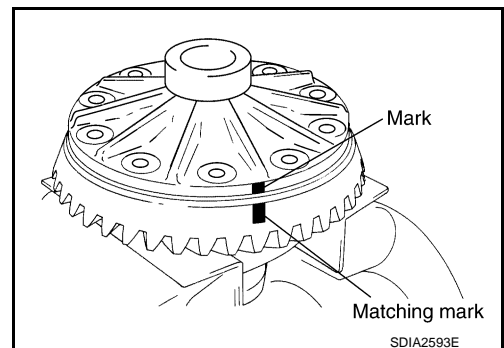
6. Drive a lock pin into pinion mate shaft, using a punch. Make sure lock pin is flush with differential case.

CAUTION:

Never reuse lock pin.



7. Align the matching mark of differential case with the mark of drive gear, then place drive gear.



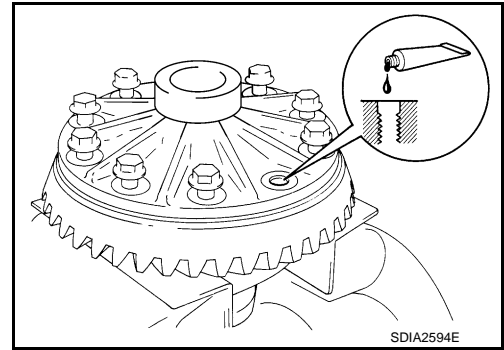
REAR FINAL DRIVE ASSEMBLY

< SERVICE INFORMATION >

8. Apply thread locking sealant into the thread hole of drive gear.
- Use **Genuine High Strength Thread Locking Sealant** or equivalent. Refer to [GI-44](#).

CAUTION:

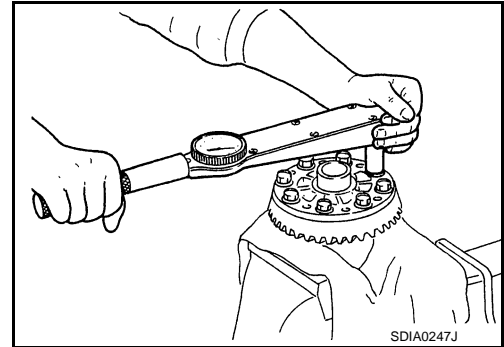
Drive gear back and threaded holes shall be cleaned and degreased sufficiently.



9. Install drive gear on the mounting bolts, and then tighten to the specified torque. Refer to "COMPONENTS".

CAUTION:

- Tighten bolts in a crisscross fashion.
- After tightening the bolts to the specified torque, tighten the bolts additionally by turning the bolts 31 to 36 degrees.

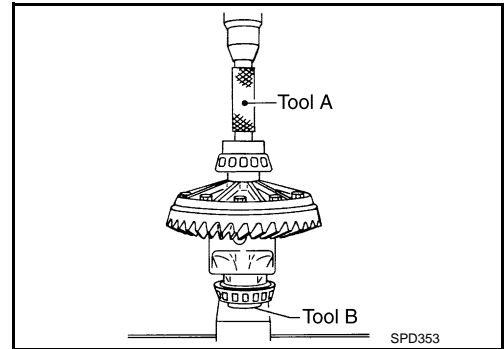


10. Press side bearing inner races to differential case, using the drift and the base.

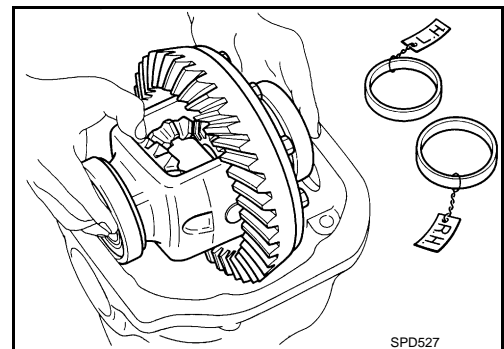
Tool number **A: KV38100300 (J-25523)**
 B: ST33061000 (J-8107-2)

CAUTION:

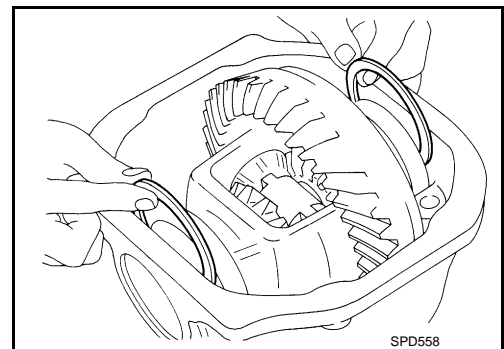
Never reuse side bearing inner race.



11. Install differential case assembly with side bearing outer races into gear carrier.
12. Measure side bearing preload. If necessary, select the appropriate side bearing adjusting washers. Refer to "Side Bearing Preload".



13. Insert selected left and right side bearing adjusting washers in place between side bearings and gear carrier.

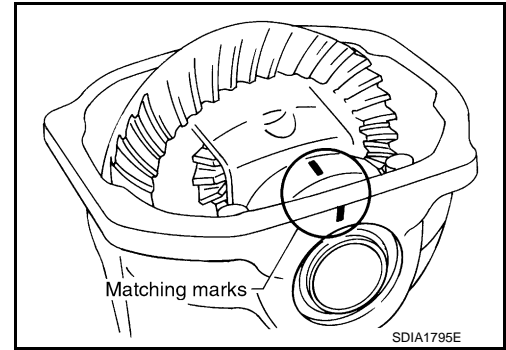


A
B
C
RFD
E
F
G
H
I
J
K
L
M
N
O
P

REAR FINAL DRIVE ASSEMBLY

< SERVICE INFORMATION >

14. Align matching marks on bearing cap with that on gear carrier.
15. Install bearing caps and tighten bearing cap mounting bolts to the specified torque. Refer to "COMPONENTS".



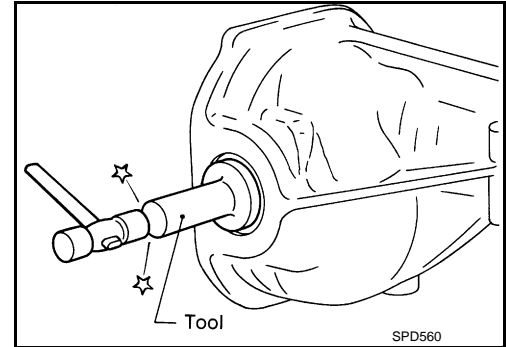
16. Using the drift, drive side oil seals until it becomes flush with the case end.

Tool number : KV38100200 (J-26233)

CAUTION:

- Never reuse oil seal.
- When installing, never incline oil seal.
- Apply multi-purpose grease onto oil seal lips, and gear oil onto the circumference of oil seal.

17. Check and adjust drive gear runout, tooth contact, drive gear to drive pinion backlash, and total preload torque. Refer to "Drive Gear Runout", "Tooth Contact", "Backlash", "Total Preload Torque". Recheck above items. Readjust the above description, if necessary.

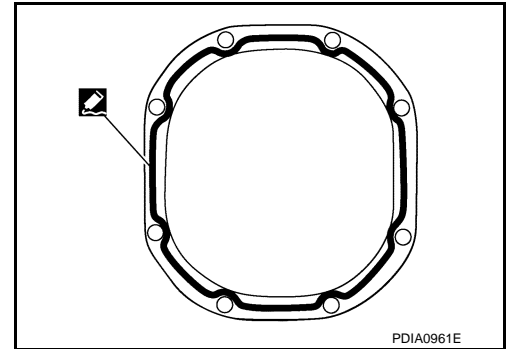


18. Apply sealant to mating surface of rear cover.
 - Use Genuine Silicone RTV or equivalent. Refer to [GI-44](#).

CAUTION:

Remove old sealant adhering to mounting surfaces. Also remove any moisture, oil, or foreign material adhering to application and mounting surfaces.

19. Install rear cover on gear carrier and tighten mounting bolts with the specified torque. Refer to "COMPONENTS".

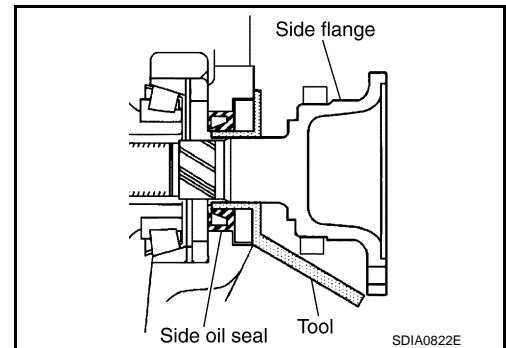


20. Install side flange with the following procedure.

- a. Attach the protector to side oil seal.

Tool number : KV38107900 (J-39352)

- b. After the side flange is inserted and the serrated part of side gear has engaged the serrated part of flange, remove the protector.



REAR FINAL DRIVE ASSEMBLY

< SERVICE INFORMATION >

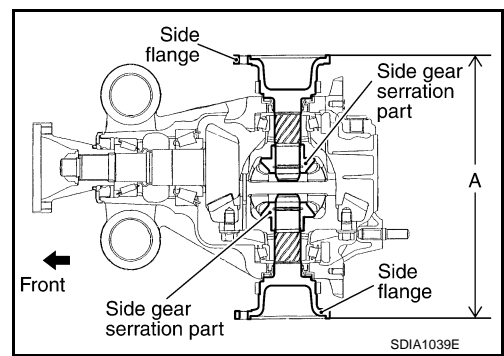
- c. Put a suitable drift on the center of side flange, then drive it until sound changes.

NOTE:

When installation is completed, driving sound of the side flange turns into a sound which seems to affect the whole final drive.

- d. Confirm that the dimension of the side flange installation [measurement (A)] in the figure comes into the following.

Measurement A: 326 - 328 mm (12.83 - 12.91 in)



A
B
C

RFD

E
F
G
H
I
J
K
L
M
N
O
P

SERVICE DATA AND SPECIFICATIONS (SDS)

< SERVICE INFORMATION >

SERVICE DATA AND SPECIFICATIONS (SDS)

General Specification

INFOID:000000002955750

Applied model	VQ35DE		VK45DE	
	2WD	AWD	2WD	AWD
Final drive model	R200			
Gear ratio	3.538	3.692	3.357	
Number of teeth (Drive gear/Drive pinion)	46/13	48/13	47/14	
Oil capacity (Approx.)	ℓ (US pt, Imp pt)		1.4 (3, 2-1/2)	
Number of pinion gears	2			
Drive pinion adjustment spacer type	Collapsible			

Inspection and Adjustment

INFOID:000000002955751

DRIVE GEAR RUNOUT

Unit: mm (in)

Item	Runout limit
Drive gear back face	0.05 (0.0020)

DIFFERENTIAL SIDE GEAR CLEARANCE

Unit: mm (in)

Item	Specification
Side gear backlash (Clearance between side gear and differential case)	0.2 (0.008) or less (Each gear should rotate smoothly without excessive resistance during differential motion.)

PRELOAD TORQUE

Unit: N·m (kg·m, in·lb)

Item	Specification
Pinion bearing (P1)	2.65 - 3.23 (0.27 - 0.32, 24 - 28)
Side bearing (P2)	0.20 - 0.52 (0.02 - 0.05, 2 - 4)
Side bearing to pinion bearing (Total preload) (Total preload = P1 + P2)	2.84 - 3.75 (0.29 - 0.38, 26 - 33)

BACKLASH

Unit: mm (in)

Item	Specification
Drive gear to drive pinion gear	0.10 - 0.15 (0.0039 - 0.0059)

COMPANION FLANGE RUNOUT

Unit: mm (in)

Item	Runout limit
Inner side of the companion flange	0.08 (0.0031)

SELECTIVE PARTS

Side Gear Thrust Washer

Unit: mm (in)

Thickness	Part number*	Thickness	Part number*
0.75 (0.0295)	38424 EC000	0.87 (0.0343)	38424 EC004
0.78 (0.0307)	38424 EC001	0.90 (0.0350)	38424 EC005
0.81 (0.0319)	38424 EC002	0.93 (0.0366)	38424 EC006
0.84 (0.0331)	38424 EC003		

SERVICE DATA AND SPECIFICATIONS (SDS)

< SERVICE INFORMATION >

*: Always check with the Parts Department for the latest parts information.

Pinion Height Adjusting Washer

Unit: mm (in)

Thickness	Part number*	Thickness	Part number*
3.05 (0.1201)	38154 0C000	3.17 (0.1248)	38154 0C004
3.08 (0.1213)	38154 0C001	3.20 (0.1260)	38154 0C005
3.11 (0.1224)	38154 0C002	3.23 (0.1272)	38154 0C006
3.14 (0.1236)	38154 0C003	3.26 (0.1283)	38154 0C007

*: Always check with the Parts Department for the latest parts information.

Side Bearing Adjusting Washer

Unit: mm (in)

Thickness	Part number*	Thickness	Part number*
2.00 (0.0787)	38453 N3100	2.35 (0.0925)	38453 N3107
2.05 (0.0807)	38453 N3101	2.40 (0.0945)	38453 N3108
2.10 (0.0827)	38453 N3102	2.45 (0.0965)	38453 N3109
2.15 (0.0846)	38453 N3103	2.50 (0.0984)	38453 N3110
2.20 (0.0866)	38453 N3104	2.55 (0.1004)	38453 N3111
2.25 (0.0886)	38453 N3105	2.60 (0.1024)	38453 N3112
2.30 (0.0906)	38453 N3106	2.65 (0.1043)	38453 N3113

*: Always check with the Parts Department for the latest parts information.

A

B

C

RFD

E

F

G

H

I

J

K

L

M

N

O

P